

MXZ-C-VA Inverter Heat Pump (5.2 - 12kW)

Multi-Split Units

The multi-split system allows up to six M Series or Mr Slim wall mounted, cassette, ducted, floor or ceiling mounted indoor unit heat pumps of different capacities to be operated from a single outdoor unit. This makes it an economic answer in multi-room applications, whilst also offering space saving benefits.

- Up to six indoor units may be connected to a single outdoor unit
- Energy saving inverter controlled outdoor unit adjusts compressor performance to economically match the demand for heating and cooling
- Units may be added within the capacity of the system as requirements change
- Capacities of indoor units may be mixed to suit individual rooms
- New size 80, 100 and 120 have current limit adjustment for managing energy costs. They also feature a wiring/piping correction function to analyse the system for connection errors via the press of a single button



Technical Information

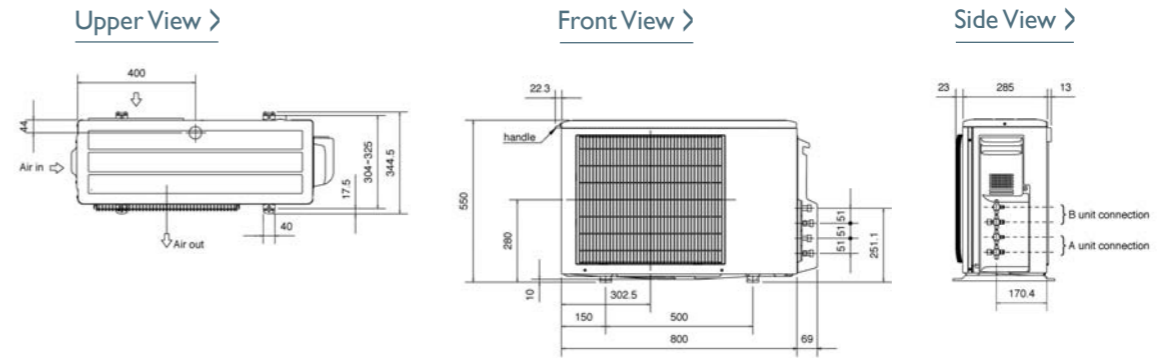
MULTI-SPLIT - INDOOR UNITS						
MODEL REFERENCE	WALL MOUNTED	FLOOR MOUNTED	DUCTED	CEILING CASSETTE	CEILING SUSPENDED	
MXZ-2C52VA	MSZ-GE22/25/35VA MSZ-FD25/35VA MSZ-EF25/35VEB	MFZ-KA25/35VA	SEZ-KD25/35VAQ	SLZ-KA25/35VAQ	-	
MXZ-3C54VA	MSZ-GE22/25/35/50VA MSZ-FD25/35VA MSZ-EF25/35/50VEB	MFZ-KA25/35/50VA	SEZ-KD25/35/50VAQ PEAD-RP50JAQ ¹⁾	SLZ-KA25/35/50VAQ PLA-RP50BA	PCA-RP50KAQ	
MXZ-4C71VA	MSZ-GE22/25/35/50/60VA MSZ-FD25/35VA MSZ-EF25/35/50VEB	MFZ-KA25/35/50VA	SEZ-KD25/35/50/60VAQ PEAD-RP50JAQ ¹⁾	SLZ-KA25/35/50VAQ PLA-RP50/60BA	PCA-RP50/60KAQ	
MXZ-4C80VA	MSZ-GE22/25/35/50/60/71VA MSZ-FD25/35VA MSZ-EF25/35/50VEB	MFZ-KA25/35/50VA	SEZ-KD25/35/50/60/71VAQ PEAD-RP50/60/71JAQ ¹⁾	SLZ-KA25/35/50VAQ PLA-RP50/60/71BA(2)	PCA-RP50/60/71KAQ	
MXZ-5C100VA	MSZ-GE22/25/35/50/60/71VA MSZ-FD25/35VA MSZ-EF25/35/50VEB	MFZ-KA25/35/50VA	SEZ-KD25/35/50/60/71VAQ PEAD-RP50/60/71JAQ ¹⁾	SLZ-KA25/35/50VAQ PLA-RP50/60/71BA(2)	PCA-RP50/60/71KAQ	
MXZ-6C120VA	MSZ-GE22/25/35/50/60/71VA MSZ-FD25/35VA MSZ-EF25/35/50VEB	MFZ-KA25/35/50VA	SEZ-KD25/35/50/60/71VAQ PEAD-RP50/60/71JAQ ¹⁾	SLZ-KA25/35/50VAQ PLA-RP50/60/71BA(2)	PCA-RP50/60/71KAQ	

¹⁾ Combined max running current of all indoors on system must not exceed 3A if PEAD-RP is used

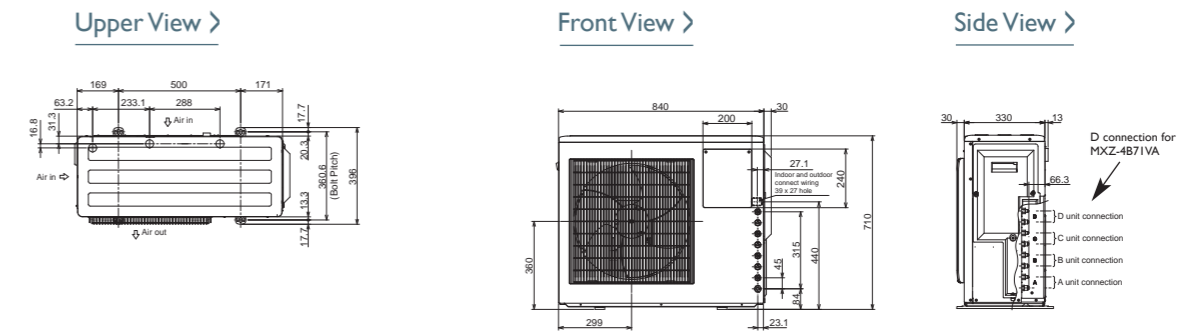
MXZ-C-VA - OUTDOOR UNITS							
MODEL REFERENCE		MXZ-2C52VA	MXZ-3C54VA	MXZ-4C71VA	MXZ-4C80VA	MXZ-5C100VA	MXZ-6C120VA
NUMBER OF CONNECTABLE INDOOR UNITS		2	2 - 3	2 - 4	2 - 4	2 - 5	2 - 6
CAPACITY (kW)	Heating (nominal)	6.4 (1.0-7.0)	7.0 (2.6-9.0)	8.6 (3.4-10.7)	9.4 (3.4-11.6)	12.0 (4.1-14.0)	14.0 (3.5-16.5)
	Cooling (nominal)	5.2 (1.1-6.0)	5.4 (2.9-6.8)	7.1 (3.7-8.8)	8.0 (3.7-9.2)	10.0 (3.9-11.0)	12.0 (3.5-13.5)
	Heating (UK)	5.3 (0.85-5.8)	5.8 (2.15-7.5)	7.15 (2.85-8.9)	7.8 (2.85-9.65)	9.95 (3.4-11.65)	11.65 (2.9-13.7)
	Cooling (UK)	5.15 (1.1-5.95)	5.35 (2.9-6.75)	7.05 (3.65-8.75)	7.95 (3.65-9.15)	9.9 (3.85-10.9)	11.9 (3.45-13.4)
COP / EER (nominal)	Outdoor Only	3.98 / 4.00	5.04 / 4.23	4.78 / 4.54	4.87 / 4.09	4.23 / 3.57	3.88 / 3.21
ENERGY LABEL	Heating/Cooling	A / A	A / A	A / A	A / A	A / A	A / A
MAX AIRFLOW (m3/min)	Heating/Cooling	33.3 / 32.9	43 / 42.1	43 / 42.1	43.8 / 42.2	59.3 / 56.6	59.5 / 69.9
NOISE (dBA)	Heating/Cooling - Sil-Hi	49-50 / 46-49	48-51 / 45-47	48-52 / 45-48	46-48 / 44-46	47-54 / 46-51	53-57 / 51-55
DIMENSIONS (mm)	Width	800	840	840	900	900	900
	Depth	285	330	330	320	320	320
	Height	550	710	710	900	900	1070
WEIGHT (kg)		38	57	58	67	68	88
ELECTRICAL SUPPLY		220-240v, 50Hz	220-240v, 50Hz	220-240v, 50Hz	220-240v, 50Hz	220-240v, 50Hz	220-240v, 50Hz
POWER INPUT (kW)	Heating/Cooling (nominal)	1.61 / 1.30	1.465 / 1.19	1.705 / 1.68	1.93 / 1.955	2.835 / 2.88	3.47 / 3.61
	Heating/Cooling (UK)	1.47 / 1.04	1.33 / 0.95	1.55 / 1.34	1.76 / 1.56	2.58 / 2.30	3.16 / 2.89
STARTING CURRENT (A)		7.22	6.43	7.49	8.59	12.45	15.85
RUNNING CURRENT (A) [MAX] Heating/Cooling		7.22 / 5.83 [10.2]	6.43 / 5.23 [15]	7.49 / 7.38 [15]	8.48 / 8.59 [17.4]	12.45 / 12.30 [18.4]	15.24 / 15.85 [27]
INTERCONNECTING CABLE No. CORES		4 Core	4 Core	4 Core	4 Core	4 Core	4 Core
TOTAL PIPE LENGTH (m)		30	50	60	70	80	80
MAX PIPE LENGTH PER INDOOR UNIT (m)		20	25	25	25	25	25
MAX HEIGHT DIFFERENCE (m)		15 (10 if OU higher than IU)	15 (10 if OU higher than IU)	15 (10 if OU higher than IU)	15 (10 if OU higher than IU)	15 (10 if OU higher than IU)	15 (10 if OU higher than IU)
CHARGE R410A (kg) [Precharged Length]		1.3 [20m]	2.7 [40m]	2.7 [40m]	3.5 [40m]	4.0 [40m]	5.0 [60m]
FUSE RATING (BS88) - HRC (A)		16	25	25	25	25	40

Dimensions

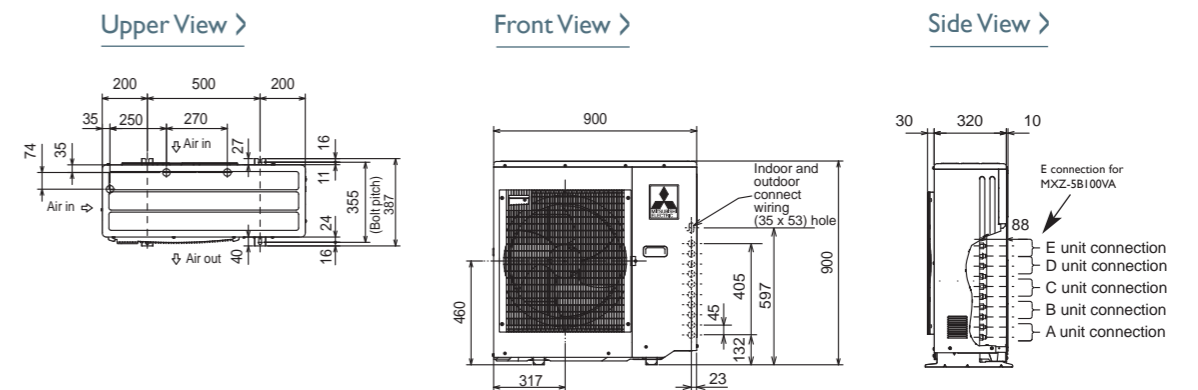
OUTDOOR UNIT MXZ-2C52VA



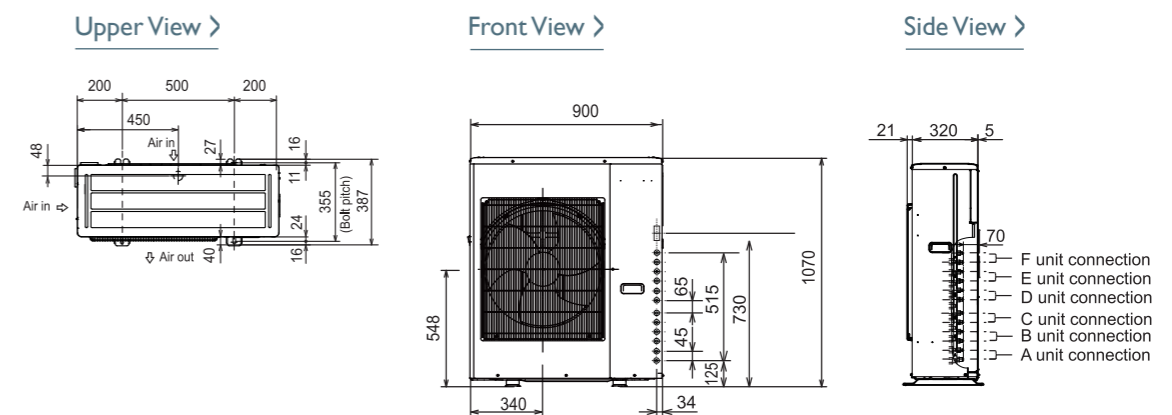
OUTDOOR UNIT MXZ-3C54VA / MXZ-4C71VA



OUTDOOR UNIT MXZ-4C80VA / MXZ-5C100VA



OUTDOOR UNIT MXZ-6C120VA



MXZ-8B-VA/YA Power Multi (14-15.5kW)

Inverter Heat Pump Multi-Split Units

The Power Multi systems allow up to eight M Series or Mr Slim cassette, ducted, floor, ceiling or wall mounted indoor units of different capacities to be operated from a single outdoor unit, making use of two types of branch box to achieve this. This makes them an economic answer in multi-room applications and ideal for apartments or small commercial buildings.

- 14 and 15.5kW Inverter Multi Systems, based on Mr Slim Power Inverter technology
- Total Pipe length of 115m / Height difference of 30m
- Individual control of each indoor unit is now possible (ON/OFF & Setpoint)
- Low starting and running currents
- Connection to M-NET system via **MAC-399IF** interface (one per indoor unit)
- Current limit adjustment for managing energy costs



Technical Information

MULTI-SPLIT - INDOOR UNITS

MODEL REFERENCE	WALL MOUNTED	FLOOR MOUNTED	DUCTED	CEILING CASSETTE
MXZ-8B140VA	MSZ-GE22/25/35/50/60/71VA MSZ-FD25/35VA MSZ-EF25/35/50VEB	MFZ-KA25/35/50VA	SEZ-KD25/35/50/60/71VAQ PEAD-RP50/60/71JAQ ^{*1}	SLZ-KA25/35/50VAQ PLA-RP35/50/60/71BA(2) PLA-RP100BA(3) ^{*2}
MXZ-8B160YA	MSZ-GE22/25/35/50/60/71VA MSZ-FD25/35VA MSZ-EF25/35/50VEB	MFZ-KA25/35/50VA	SEZ-KD25/35/50/60/71VAQ PEAD-RP50/60/71JAQ ^{*1}	SLZ-KA25/35/50VAQ PLA-RP35/50/60/71BA(2) PLA-RP100BA(3) ^{*2}

^{*1} Total capacity of indoor units must not exceed 100% if PEAD-RP is used ^{*2} Can only be connected using a PAC-AK52BC with a PAC-AK52YP-E pipe

MXZ-8B-VA/YA - OUTDOOR UNITS

MODEL REFERENCE	MXZ-8B140VA	MXZ-8B160YA
NUMBER OF CONNECTABLE INDOOR UNITS	2 - 8	2 - 8
CAPACITY (kW)		
Heating (nominal)	16.0	18.0
Cooling (nominal)	14.0	15.5
Heating (UK)	13.3	14.95
Cooling (UK)	13.9	15.4
COP / EER (nominal)	3.91 / 3.52	3.61 / 3.21
ENERGY LABEL	A / A	A / A
MAX AIRFLOW (m3/min)	100	106
NOISE (dBA)	Heating/Cooling - Sil-Hi 52 / 47-50	54 / 48-51
DIMENSIONS (mm)		
Width	950	950
Depth	330	330
Height	1350	1350
WEIGHT (kg)	129	139
ELECTRICAL SUPPLY	220-240v, 50Hz	380-415v, 50Hz
PHASE	Single	3
POWER INPUT (kW)	Heating/Cooling (nominal) 3.90 / 3.79	4.80 / 4.64
Heating/Cooling (UK)	3.55 / 3.03	4.37 / 3.71
STARTING CURRENT (A)	14	7
RUNNING CURRENT (A) [MAX] Heating/Cooling	17.05 / 16.55 [29.5]	7.00 / 6.77 [13]
INTERCONNECTING CABLE No. CORES	4 Core	4 Core
TOTAL PIPE LENGTH (m)	115	115
MAX PIPE LENGTH PER INDOOR UNIT (m)	15 (from Branch Box)	15 (from Branch Box)
FURTHEST PIPE LENGTH - Outdoor to Indoor (m)	70	70
MAX HEIGHT DIFFERENCE - Outdoor to Indoor (m)	30 (20 if OU lower than IU)	30 (20 if OU lower than IU)
MAX HEIGHT DIFFERENCE - Indoor to Indoor (m)	12	12
CHARGE R410A (kg) - 40m	8.5	8.5
FUSE RATING (BS88) - HRC (A)	40	25

PAC-AK31BC - BRANCH BOX

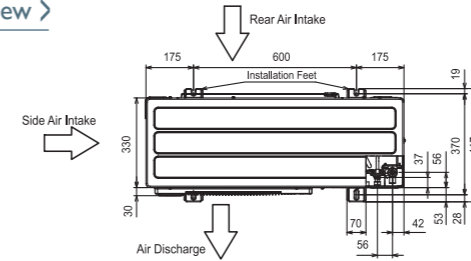
MODEL REFERENCE	PAC-AK31BC
NUMBER OF CONNECTABLE INDOOR UNITS	1 - 3
POWER SUPPLY TO BRANCH BOX	From Outdoor Unit
POWER SUPPLY TO INDOOR UNITS	From Branch Box
PIPE SIZE mm(in) Main Outdoor Side - Gas	15.88(5/8")
PIPE SIZE mm(in) Main Outdoor Side - Liquid	9.52(3/8")
MAX PIPE LENGTH - Outdoor Unit to Branch Box (m)	55
TOTAL PIPE LENGTH - Branch Boxes to Indoor Unit (m)	60
MAX HEIGHT DIFFERENCE - Outdoor Unit to Branch Box (m)	30
MAX HEIGHT DIFFERENCE - Branch Box to Indoor Unit (m)	15
DIMENSIONS (mm)	
Width	450
Depth	280
Height	198

PAC-AK52BC - BRANCH BOX

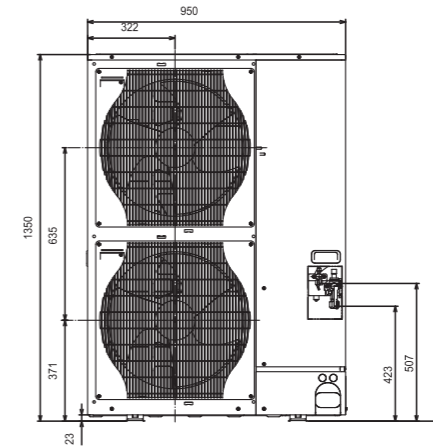
MODEL REFERENCE	PAC-AK52BC
NUMBER OF CONNECTABLE INDOOR UNITS	1 - 5
POWER SUPPLY TO BRANCH BOX	From Outdoor Unit
POWER SUPPLY TO INDOOR UNITS	From Branch Box
PIPE SIZE mm(in) Main Outdoor Side - Gas	15.88(5/8")
PIPE SIZE mm(in) Main Outdoor Side - Liquid	9.52(3/8")
MAX PIPE LENGTH - Outdoor Unit to Branch Box (m)	55
TOTAL PIPE LENGTH - Branch Boxes to Indoor Unit (m)	60
MAX HEIGHT DIFFERENCE - Outdoor Unit to Branch Box (m)	30
MAX HEIGHT DIFFERENCE - Branch Box to Indoor Unit (m)	15
DIMENSIONS (mm)	
Width	450
Depth	280
Height	198

OUTDOOR UNIT MXZ-8B140VA / MXZ-8B160YA

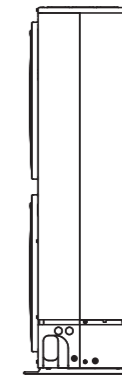
Upper View >



Front View >

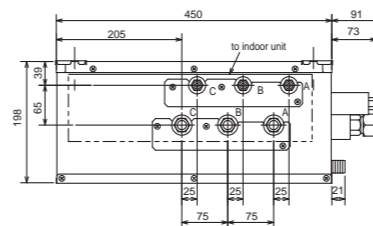


Side View >

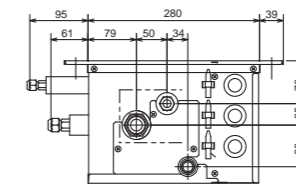


BRANCH BOX PAC-AK31BC

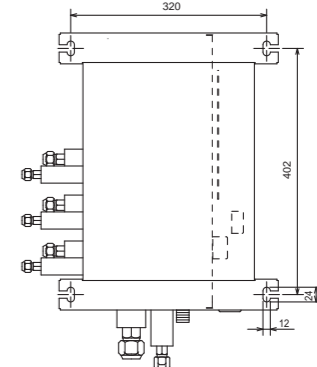
Front View >



Side View >

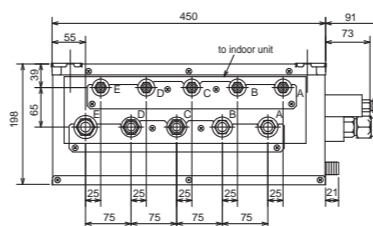


Upper View >

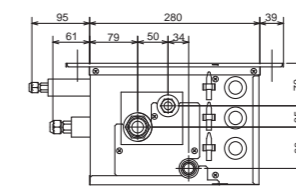


BRANCH BOX PAC-AK52BC

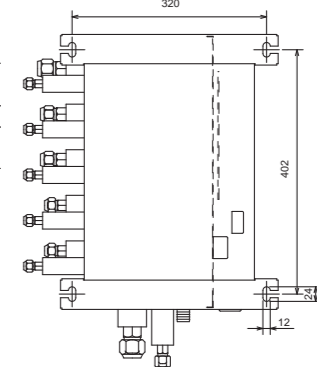
Front View >



Side View >



Upper View >



Multi-Split Systems

8 Outdoor Units



MXZ-2C52VA
Inverter Multi unit



MXZ-3C54VA
MXZ-4C71VA
Inverter Multi units



MXZ-4C80VA
MXZ-5C100VA
Inverter Multi units



MXZ-6C120VA
Inverter Multi unit



MXZ-8B140VA
MXZ-8B160YA
Power Multi units



32 Indoor Units

MSZ-GE-VA Series



MSZ-FD-VA Series



MFZ-KA-VA Series



SEZ-KD-VAQ Series



PEAD-RP-JAQ Series



SLZ-KA-VAQ Series



PLA-RP-BA(2)(3) Series



PCA-RP-KAQ Series



Multi-Split systems allow up to eight M Series or Mr Slim cassette, ducted, floor, ceiling or wall mounted indoor units of different capacities to be operated from a single outdoor unit.

Multi-Split System Combinations

MXZ-2C52VA

1 Outdoor Unit ▶ 2 Indoor Units

Indoor unit combination	Cooling / Heating Capacity (kW)	
	Unit A	Unit B
1 ROOM		
22	2.20 / 3.30	
25	2.50 / 3.60	
35	3.50 / 4.00	
2 ROOMS		
22 + 22	2.20 / 3.05	2.20 / 3.05
22 + 25	2.20 / 2.90	2.50 / 3.30
22 + 35	1.93 / 2.43	3.07 / 3.87
25 + 25	2.50 / 3.15	2.50 / 3.15
25 + 35	2.13 / 2.63	2.98 / 3.68
35 + 35	2.60 / 3.20	2.60 / 3.20

MXZ-3C54VA

1 Outdoor Unit ▶ Up to 3 Indoor Units

Indoor unit combination	Cooling / Heating Capacity (kW)		
	Unit A	Unit B	Unit C
1 ROOM			
22	2.20 / 3.30		
25	2.50 / 3.60		
35	3.50 / 4.00		
50	5.00 / 6.80		
2 ROOMS			
22 + 22	2.20 / 3.30	2.20 / 3.30	
22 + 25	2.20 / 3.14	2.50 / 3.56	
22 + 35	2.08 / 2.62	3.32 / 4.18	
22 + 50	1.65 / 2.08	3.75 / 4.72	
25 + 25	2.50 / 3.40	2.50 / 3.40	
25 + 35	2.25 / 2.83	3.15 / 3.97	
25 + 50	1.80 / 2.27	3.60 / 4.53	
35 + 35	2.70 / 3.40	2.70 / 3.40	
35 + 50	2.22 / 2.80	3.18 / 4.00	
50 + 50	2.70 / 3.40	2.70 / 3.40	
3 ROOMS			
22 + 22 + 22	1.80 / 2.27	1.80 / 2.27	1.80 / 2.27
22 + 22 + 25	1.72 / 2.20	1.72 / 2.20	1.96 / 2.50
22 + 22 + 35	1.50 / 1.95	1.50 / 1.95	2.39 / 3.10
22 + 22 + 50	1.26 / 1.64	1.26 / 1.64	2.87 / 3.72
22 + 25 + 25	1.65 / 2.11	1.88 / 2.40	1.88 / 2.40
22 + 25 + 35	1.45 / 1.88	1.65 / 2.13	2.30 / 2.99
22 + 25 + 50	1.22 / 1.59	1.39 / 1.80	2.78 / 3.61
22 + 35 + 35	1.29 / 1.67	2.05 / 2.66	2.05 / 2.66
25 + 25 + 25	1.80 / 2.33	1.80 / 2.33	1.80 / 2.33
25 + 25 + 35	1.59 / 2.06	1.59 / 2.06	2.22 / 2.88
25 + 25 + 50	1.35 / 1.75	1.35 / 1.75	2.70 / 3.50
25 + 35 + 35	1.42 / 1.84	1.99 / 2.58	1.99 / 2.58

MXZ-4C71VA

1 Outdoor Unit ▶ Up to 4 Indoor Units

Indoor unit combination	Cooling / Heating Capacity (kW)			
	Unit A	Unit B	Unit C	Unit D
1 ROOM				
22	2.20 / 3.30			
25	2.50 / 3.60			
35	3.50 / 4.00			
50	5.00 / 7.20			
60	6.00 / 7.90			
2 ROOMS				
22 + 22	2.20 / 3.30	2.20 / 3.30		
22 + 25	2.20 / 3.23	2.50 / 3.67		
22 + 35	2.20 / 2.97	3.50 / 4.73		
22 + 50	2.08 / 2.63	4.72 / 5.97		
22 + 60	1.82 / 2.31	4.98 / 6.29		
25 + 25	2.50 / 3.60	2.50 / 3.60		
25 + 35	2.50 / 3.29	3.50 / 4.61		
25 + 50	2.27 / 2.87	4.53 / 5.73		
25 + 60	2.00 / 2.53	4.80 / 6.07		
35 + 35	3.40 / 4.30	3.40 / 4.30		
35 + 50	2.80 / 3.54	4.00 / 5.06		
35 + 60	2.51 / 3.17	4.29 / 5.43		
50 + 50	3.40 / 4.30	3.40 / 4.30		
50 + 60	3.09 / 3.91	3.71 / 4.69		
60 + 60	3.40 / 4.30	3.40 / 4.30		
3 ROOMS				
22 + 22 + 22	2.20 / 2.87	2.20 / 2.87	2.20 / 2.87	
22 + 22 + 25	2.20 / 2.74	2.20 / 2.74	2.50 / 3.12	
22 + 22 + 35	1.98 / 2.39	1.98 / 2.39	3.15 / 3.81	
22 + 22 + 50	1.66 / 2.01	1.66 / 2.01	3.78 / 4.57	
22 + 22 + 60	1.50 / 1.82	1.50 / 1.82	4.10 / 4.96	
22 + 25 + 25	2.17 / 2.63	2.47 / 2.99	2.47 / 2.99	
22 + 25 + 35	1.90 / 2.31	2.16 / 2.62	3.03 / 3.67	
22 + 25 + 50	1.61 / 1.95	1.83 / 2.22	3.66 / 4.43	
22 + 25 + 60	1.46 / 1.77	1.66 / 2.01	3.98 / 4.82	
22 + 35 + 35	1.70 / 2.06	2.70 / 3.27	2.70 / 3.27	
22 + 35 + 50	1.46 / 1.77	2.32 / 2.81	3.32 / 4.02	
22 + 35 + 60	1.34 / 1.62	2.12 / 2.57	3.64 / 4.41	
22 + 50 + 50	1.28 / 1.55	2.91 / 3.52	2.91 / 3.52	
25 + 25 + 25	2.37 / 2.87	2.37 / 2.87	2.37 / 2.87	
25 + 25 + 35	2.09 / 2.53	2.09 / 2.53	2.92 / 3.54	
25 + 25 + 50	1.78 / 2.15	1.78 / 2.15	3.55 / 4.30	
25 + 25 + 60	1.61 / 1.95	1.61 / 1.95	3.87 / 4.69	
25 + 35 + 35	1.87 / 2.26	2.62 / 3.17	2.62 / 3.17	
25 + 35 + 50	1.61 / 1.95	2.26 / 2.74	3.23 / 3.91	
25 + 35 + 60	1.48 / 1.79	2.07 / 2.51	3.55 / 4.30	
25 + 50 + 50	1.42 / 1.72	2.84 / 3.44	2.84 / 3.44	
35 + 35 + 35	2.37 / 2.87	2.37 / 2.87	2.37 / 2.87	
35 + 35 + 50	2.07 / 2.51	2.07 / 2.51	2.96 / 3.58	

Indoor unit combination	Cooling / Heating Capacity (kW)			
	Unit A	Unit B	Unit C	Unit D
4 ROOMS				
22 + 22 + 22 + 22	1.78 / 2.15	1.78 / 2.15	1.78 / 2.15	1.78 / 2.15
22 + 22 + 22 + 25	1.72 / 2.08	1.72 / 2.08	1.72 / 2.08	1.95 / 2.36
22 + 22 + 22 + 35	1.55 / 1.87	1.55 / 1.87	1.55 / 1.87	2.46 / 2.98
22 + 22 + 22 + 50	1.35 / 1.63	1.35 / 1.63	1.35 / 1.63	3.06 / 3.71
22 + 22 + 25 + 25	1.66 / 2.01	1.66 / 2.01	1.89 / 2.29	1.89 / 2.29
22 + 22 + 25 + 35	1.50 / 1.82	1.50 / 1.82	1.71 / 2.07	2.39 / 2.89
22 + 22 + 25 + 50	1.31 / 1.59	1.31 / 1.59	1.49 / 1.81	2.98 / 3.61
22 + 22 + 35 + 35	1.37 / 1.66	1.37 / 1.66	2.18 / 2.64	2.18 / 2.64
22 + 25 + 25 + 25	1.61 / 1.95	1.83 / 2.22	1.83 / 2.22	1.83 / 2.22
22 + 25 + 25 + 35	1.46 / 1.77	1.66 / 2.01	1.66 / 2.01	2.32 / 2.81
22 + 25 + 25 + 50	1.28 / 1.55	1.45 / 1.76	1.45 / 1.76	2.91 / 3.52
22 + 25 + 35 + 35	1.34 / 1.62	1.52 / 1.84	2.12 / 2.57	2.12 / 2.57
25 + 25 + 25 + 25	1.78 / 2.15	1.78 / 2.15	1.78 / 2.15	1.78 / 2.15
25 + 25 + 25 + 35	1.61 / 1.95	1.61 / 1.95	1.61 / 1.95	2.26 / 2.74
25 + 25 + 25 + 50	1.42 / 1.72	1.42 / 1.72	1.42 / 1.72	2.84 / 3.44
25 + 25 + 35 + 35	1.48 / 1.79	1.48 / 1.79	2.07 / 2.51	2.07 / 2.51

MXZ-4C80VA

1 Outdoor Unit ▶ Up to 4 Indoor Units

Indoor unit combination	Cooling / Heating Capacity (kW)			
	Unit A	Unit B	Unit C	Unit D
1 ROOM				
22	2.20 / 3.30			
25	2.50 / 3.60			
35	3.50 / 4.00			
50	5.00 / 7.20			
60	6.00 / 7.90			
71	7.10 / 8.60			
2 ROOMS				
22 + 22	2.20 / 3.30	2.20 / 3.30		
22 + 25	2.20 / 3.23	2.50 / 3.67		
22 + 35	2.20 / 2.89	3.50 / 4.61		
22 + 50	2.20 / 2.51	5.00 / 5.69		
22 + 60	2.09 / 2.52	5.71 / 6.88		
22 + 71	1.87 / 2.22	6.03 / 7.18		
25 + 25	2.50 / 3.60	2.50 / 3.60		
25 + 35	2.50 / 3.17	3.50 / 4.43		
25 + 50	2.50 / 2.87	5.00 / 5.73		
25 + 60	2.29 / 2.76	5.51 / 6.64		
25 + 71	2.06 / 2.45	5.84 / 6.95		
35 + 35	3.50 / 4.00	3.50 / 4.00		
35 + 50	3.21 / 3.87	4.59 / 5.53		

Indoor unit combination	Cooling / Heating Capacity (kW)			
	Unit A	Unit B	Unit C	Unit D
35 + 60	2.91 / 3.46	4.99 / 5.94		
35 + 71	2.61 / 3.10	5.29 / 6.30		
50 + 50	3.95 / 4.70	3.95 / 4.70		
50 + 60	3.64 / 4.27	4.36 / 5.13		
50 + 71	3.31 / 3.88	4.69 / 5.52		
60 + 60	4.00 / 4.70	4.00 / 4.70		
60 + 71	3.66 / 4.31	4.34 / 5.09		
3 ROOMS				
22 + 22 + 22	2.20 / 2.90	2.20 / 2.90	2.20 / 2.90	
22 + 22 + 25	2.20 / 2.81	2.20 / 2.81	2.50 / 3.19	
22 + 22 + 35	2.14 / 2.56	2.14 / 2.56	3.41 / 4.08	
22 + 22 + 50	1.83 / 2.20	1.83 / 2.20	4.15 / 5.00	
22 + 22 + 60	1.67 / 1.99	1.67 / 1.99	4.56 / 5.42	
22 + 22 + 71	1.53 / 1.80	1.53 / 1.80	4.94 / 5.80	
22 + 25 + 25	2.20 / 2.72	2.50 / 3.09	2.50 / 3.09	
22 + 25 + 35	2.07 / 2.50	2.35 / 2.84	3.29 / 3.97	
22 + 25 + 50	1.79 / 2.13	2.04 / 2.42	4.07 / 4.85	
22 + 25 + 60	1.64 / 1.93	1.87 / 2.20	4.49 / 5.27	
22 + 25 + 71	1.49 / 1.75	1.69 / 1.99	4.81 / 5.66	
22 + 35 + 35	1.87 / 2.25	2.97 / 3.58	2.97 / 3.58	
22 + 35 + 50	1.64 / 1.93	2.62 / 3.07	3.74 / 4.39	
22 + 35 + 60	1.50 / 1.77	2.39 / 2.81	4.10 / 4.82	
22 + 35 + 71	1.38 / 1.62	2.19 / 2.57	4.44 / 5.21	
22 + 50 + 50	1.44 / 1.70	3.28 / 3.85	3.28 / 3.85	
22 + 50 + 60	1.33 / 1.57	3.03 / 3.56	3.64 / 4.27	
22 + 50 + 71	1.23 / 1.45	2.80 / 3.29	3.97 / 4.67	
25 + 25 + 25	2.50 / 3.00	2.50 / 3.00	2.50 / 3.00	
25 + 25 + 35	2.29 / 2.76	2.29 / 2.76	3.21 / 3.87	
25 + 25 + 50	1.98 / 2.35	1.98 / 2.35	3.95 / 4.70	
25 + 25 + 60	1.82 / 2.14	1.82 / 2.14	4.36 / 5.13	
25 + 25 + 71	1.65 / 1.94	1.65 / 1.94	4.69 / 5.52	
25 + 35 + 35	2.08 / 2.47	2.91 / 3.46	2.91 / 3.46	
25 + 35 + 50	1.82 / 2.14	2.55 / 2.99	3.64 / 4.27	
25 + 35 + 60	1.67 / 1.96	2.33 / 2.74	4.00 / 4.70	
25 + 35 + 71	1.53 / 1.79	2.14 / 2.51	4.34 / 5.09	
25 + 50 + 50	1.60 / 1.88	3.20 / 3.76	3.20 / 3.76	
25 + 50 + 60	1.48 / 1.74	2.96 / 3.48	3.56 / 4.18	
35 + 35 + 35	2.65 / 3.13	2.65 / 3.13	2.65 / 3.13	
35 + 35 + 50	2.33 / 2.74	2.33 / 2.74	3.33 / 3.92	
35 + 35 + 60	2.15 / 2.53	2.15 / 2.53	3.69 / 4.34	
35 + 35 + 71	1.99 / 2.33	1.99 / 2.33	4.03 / 4.73	
35 + 50 + 50	2.07 / 2.44	2.96 / 3.48	2.96 / 3.48	
35 + 50 + 60	1.93 / 2.27	2.76 / 3.24	3.31 / 3.89	

Indoor unit combination	Cooling / Heating Capacity (kW)			
	Unit A	Unit B	Unit C	Unit D
4 ROOMS				
22 + 22 + 22 + 22	1.95 / 2.35	1.95 / 2.35	1.95 / 2.35	1.95 / 2.35
22 + 22 + 22 + 25	1.90 / 2.27	1.90 / 2.27	1.90 / 2.27	2.16 / 2.58
22 + 22 + 22 + 35	1.73 / 2.05	1.73 / 2.05	1.73 / 2.05	2.75 / 3.26
22 + 22 + 22 + 50	1.52 / 1.78	1.52 / 1.78	1.52 / 1.78	3.45 / 4.05
22 + 22 + 22 + 60	1.40 / 1.64	1.40 / 1.64	1.40 / 1.64	3.81 / 4.48
22 + 22 + 22 + 71	1.28 / 1.51	1.28 / 1.51	1.28 / 1.51	4.15 / 4.87
22 + 22 + 25 + 25	1.84 / 2.20	1.84 / 2.20	2.09 / 2.50	2.09 / 2.50
22 + 22 + 25 + 35	1.68 / 1.99	1.68 / 1.99	1.91 / 2.26	2.68 / 3.16
22 + 22 + 25 + 50	1.48 / 1.74	1.48 / 1.74	1.68 / 1.97	3.36 / 3.95
22 + 22 + 25 + 60	1.36 / 1.60	1.36 / 1.60	1.55 / 1.82	3.72 / 4.37
22 + 22 + 25 + 71	1.26 / 1.48	1.26 / 1.48	1.43 / 1.68	4.06 / 4.77
22 + 22 + 35 + 35	1.54 / 1.81	1.54 / 1.81	2.46 / 2.89	2.46 / 2.89
22 + 22 + 35 + 50	1.36 / 1.60	1.36 / 1.60	2.17 / 2.55	3.10 / 3.64
22 + 22 + 35 + 60	1.27 / 1.49	1.27 / 1.49	2.01 / 2.37	3.45 / 4.06
22 + 22 + 50 + 50	1.22 / 1.44	1.22 / 1.44	2.78 / 3.26	2.78 / 3.26
22 + 25 + 25 + 25	1.79 / 2.13	2.04 / 2.42	2.04 / 2.42	2.04 / 2.42
22 + 25 + 25 + 35	1.63 / 1.93	1.86 / 2.20	1.86 / 2.20	2.60 / 3.07
22 + 25 + 25 + 50	1.44 / 1.70	1.64 / 1.93	1.64 / 1.93	3.28 / 3.85
22 + 25 + 25 + 60	1.33 / 1.57	1.52 / 1.78	1.52 / 1.78	3.64 / 4.27
22 + 25 + 35 + 35	1.50 / 1.77	1.71 / 2.01	2.39 / 2.81	2.39 / 2.81
22 + 25 + 35 + 50	1.33 / 1.57	1.52 / 1.78	2.12 / 2.49	3.03 / 3.56
22 + 25 + 35 + 60	1.24 / 1.46	1.41 / 1.65	1.97 / 2.32	3.38 / 3.97
22 + 35 + 35 + 35	1.39 / 1.63	2.20 / 2.59	2.20 / 2.59	2.20 / 2.59
22 + 35 + 35 + 50	1.24 / 1.45	1.97 / 2.32	1.97 / 2.32	2.82 / 3.31
25 + 25 + 25 + 25	1.98 / 2.35	1.98 / 2.35	1.98 / 2.35	1.98 / 2.35
25 + 25 + 25 + 35	1.82 / 2.14	1.82 / 2.14	1.82 / 2.14	2.55 / 2.99
25 + 25 + 25 + 50	1.60 / 1.88	1.60 / 1.88	1.60 / 1.88	3.20 / 3.76
25 + 25 + 25 + 60	1.48 / 1.74	1.48 / 1.74	1.48 / 1.74	3.56 / 4.18
25 + 25 + 35 + 35	1.67 / 1.96	1.67 / 1.96	2.33 / 2.74	2.33 / 2.74
25 + 25 + 35 + 50	1.48 / 1.74	1.48 / 1.74	2.07 / 2.44	2.96 / 3.48
25 + 35 + 35 + 35	1.54 / 1.81	2.15 / 2.53	2.15 / 2.53	2.15 / 2.53
35 + 35 + 35 + 35	2.00 / 2.35	2.00 / 2.35	2.00 / 2.35	2.00 / 2.35

MXZ-5C100VA

1 Outdoor Unit ▶ Up to 5 Indoor Units

Indoor unit combination	Cooling / Heating Capacity (kW)			
	Unit A	Unit B	Unit C	Unit D
1 ROOM				
22	2.20 / 3.30			
25	2.50 / 3.60			
35	3.50 / 4.00			
50	5.00 / 7.20			
60	6.00 / 7.90			
71	7.10 / 8.60			

Indoor unit combination	Cooling / Heating Capacity (kW)			
	Unit A	Unit B	Unit C	Unit D
2 ROOMS				
22 + 22	2.20 / 3.30	2.20 / 3.30		
22 + 25	2.20 / 3.23	2.50 / 3.67		
22 + 35	2.20 / 2.89	3.50 / 4.61		
22 + 50	2.17 / 2.57	4.93 / 5.83		
22 + 60	2.07 / 2.71	5.63 / 7.39		
22 + 71	1.92 / 2.51	6.18 / 8.09		
25 + 25	2.50 / 3.60	2.50 / 3.60		
25 + 35	2.50 / 3.17	3.50 / 4.43		
25 + 50	2.43 / 2.97	4.87 / 5.93		
25 + 60	2.29 / 3.09	5.51 / 7.41		
25 + 71	2.14 / 2.76	6.06 / 7.84		
35 + 35	3.50 / 4.00	3.50 / 4.00		
35 + 50	3.21 / 4.32	4.59 / 6.18		
35 + 60	2.98 / 3.91	5.12 / 6.69		
35 + 71	2.81 / 3.50	5.69 / 7.10		
50 + 50	4.15 / 5.30	4.15 / 5.30		
50 + 60	3.91 / 4.82	4.69 / 5.78		
50 + 71	3.68 / 4.38	5.22 / 6.22		
60 + 60	4.45 / 5.30	4.45 / 5.30		
60 + 71	4.12 / 4.85	4.88 / 5.75		
71 + 71	4.55 / 5.30	4.55 / 5.30		
3 ROOMS				
22 + 22 + 22	2.20 / 2.90	2.20 / 2.90	2.20 / 2.90	
22 + 22 + 25	2.20 / 2.81	2.20 / 2.81	2.50 / 3.19	
22 + 22 + 35	2.12 / 2.53	2.12 / 2.53	3.37 / 4.03	
22 + 22 + 50	1.92 / 2.25	1.92 / 2.25	4.36 / 5.11	
22 + 22 + 60	1.82 / 2.12	1.82 / 2.12	4.96 / 5.77	
22 + 22 + 71	1.68 / 1.99	1.68 / 1.99	5.43 / 6.42	
22 + 25 + 25	2.20 / 2.72	2.50 / 3.09	2.50 / 3.09	
22 + 25 + 35	2.09 / 2.47	2.38 / 2.80	3.33 / 3.93	
22 + 25 + 50	1.88 / 2.20	2.14 / 2.50	4.28 / 5.00	
22 + 25 + 60	1.77 / 2.08	2.01 / 2.36	4.82 / 5.66	
22 + 25 + 71	1.64 / 1.96	1.86 / 2.22	5.29 / 6.32	
22 + 35 + 35	1.94 / 2.30	3.08 / 3.65	3.08 / 3.65	
22 + 35 + 50	1.77 / 2.08	2.81 / 3.30	4.02 / 4.72	
22 + 35 + 60	1.65 / 1.97	2.63 / 3.14	4.51 / 5.38	
22 + 35 + 71	1.55 / 1.86	2.46 / 2.95	4.99 / 5.99	
22 + 50 + 50	1.60 / 1.91	3.65 / 4.34	3.65 / 4.34	
22 + 50 + 60	1.52 / 1.82	3.45 / 4.13	4.14 / 4.95	
22 + 50 + 71	1.43 / 1.68	3.25 / 3.81	4.62 / 5.41	
22 + 60 + 60	1.44 / 1.69	3.93 / 4.61	3.93 / 4.61	
22 + 60 + 71	1.35 / 1.58	3.69 / 4.31	4.36 / 5.10	

Indoor unit combination	Cooling / Heating Capacity (kW)			
	Unit A	Unit B	Unit C	Unit D
4 ROOMS				
25 + 25 + 25	2.50 / 3.00	2.50 / 3.00	2.50 / 3.00	
25 + 25 + 35	2.32 / 2.74	2.32 / 2.74	3.25 / 3.83	
25 + 25 + 50	2.10 / 2.45	2.10 / 2.45	4.20 / 4.90	
25 + 25 + 60	1.98 / 2.32	1.98 / 2.32	4.75 / 5.56	
25 + 25 + 71	1.84 / 2.19	1.84 / 2.19	5.22 / 6.22	
25 + 35 + 35	2.16 / 2.55	3.02 / 3.57	3.02 / 3.57	
25 + 35 + 50	1.98 / 2.32	2.77 / 3.25	3.95 / 4.64	
25 + 35 + 60	1.85 / 2.21	2.60 / 3.09	4.45 / 5.30	
25 + 35 + 71	1.74 / 2.06	2.43 / 2.89	4.93 / 5.85	
25 + 50 + 50	1.80 / 2.16	3.60 / 4.32	3.60 / 4.32	
25 + 50 + 60	1.70 / 2.02	3.41 / 4.04	4.09 / 4.84	
25 + 50 + 71	1.59 / 1.88	3.18 / 3.77	4.52 / 5.35	
25 + 60 + 60	1.60 / 1.90	3.85 / 4.55	3.85 / 4.55	
25 + 60 + 71	1.51 / 1.76	3.62 / 4.23	4.28 / 5.01	
35 + 35 + 35	2.87 / 3.33	2.87 / 3.33	2.87 / 3.33	
35 + 35 + 50	2.60 / 3.09	2.60 / 3.09	3.71 / 4.42	
35 + 35 + 60	2.45 / 2.91	2.45 / 2.91	4.20 / 4.98	
35 + 35 + 71	2.31 / 2.71	2.31 / 2.71	4.68 / 5.49	
35 + 50 + 50	2.39 / 2.83	3.41 / 4.04	3.41 / 4.04	
35 + 50 + 60	2.24 / 2.66	3.21 / 3.79	3.85 / 4.55	
35 + 50 + 71	2.11 / 2.47	3.01 / 3.53	4.28 / 5.01	
35 + 60 + 60	2.12 / 2.48	3.64 / 4.26	3.64 / 4.26	
35 + 60 + 71	1.98 / 2.32	3.40 / 3.98	4.02 / 4.70	
50 + 50 + 50	3.13 / 3.67	3.13 / 3.67	3.13 / 3.67	
50 + 50 + 60	2.94 / 3.44	2.94 / 3.44	3.53 / 4.13	
50 + 50 + 71	2.75 / 3.22	2.75 / 3.22	3.90 / 4.57	
4 ROOMS				
22 + 22 + 22 + 22	2.00 / 2.50	2.00 / 2.50	2.00 / 2.50	2.00 / 2.50
22 + 22 + 22 + 25	1.98 / 2.42	1.98 / 2.42	1.98 / 2.42	2.25 / 2.75
22 + 22 + 22 + 35	1.87 / 2.18	1.87 / 2.18	1.87 / 2.18	2.98 / 3.47
22 + 22 + 22 + 50	1.69 / 1.97	1.69 / 1.97	1.69 / 1.97	3.84 / 4.48
22 + 22 + 22 + 60	1.59 / 1.87	1.59 / 1.87	1.59 / 1.87	4.33 / 5.10
22 + 22 + 22 + 71	1.49 / 1.75	1.49 / 1.75	1.49 / 1.75	4.82 / 5.65
22 + 22 + 25 + 25	1.94 / 2.34	1.94 / 2.34	2.21 / 2.66	2.21 / 2.66
22 + 22 + 25 + 35	1.84 / 2.14	1.84 / 2.14	2.09 / 2.43	2.93 / 3.40
22 + 22 + 25 + 50	1.66 / 1.94	1.66 / 1.94	1.89 / 2.21	3.78 / 4.41
22 + 22 + 25 + 60	1.57 / 1.82	1.57 / 1.82	1.78 / 2.07	4.28 / 4.98
22 + 22 + 25 + 71	1.48 / 1.73	1.48 / 1.73	1.68 / 1.96	4.77 / 5.58
22 + 22 + 35 + 35	1.72 / 2.01	1.72 / 2.01	2.73 / 3.19	2.73 / 3.19
22 + 22 + 35 + 50	1.57 / 1.82	1.57 / 1.82	2.50 / 2.90	3.57 / 4.15
22 + 22 + 35 + 60	1.49 / 1.74	1.49 / 1.74	2.37 / 2.77	4.06 / 4.75

Indoor unit combination	Cooling / Heating Capacity (kW)			
	Unit A	Unit B	Unit C	Unit D
4 ROOMS				
22 + 22 + 35 + 71	1.39 / 1.61	1.39 / 1.61	2.22 / 2.57	4.50 / 5.21
22 + 22 + 50 + 50	1.45 / 1.68	1.45 / 1.68	3.30 / 3.82	3.30 / 3.82
22 + 22 + 50 + 60	1.37 / 1.57	1.37 / 1.57	3.12 / 3.57	3.74 / 4.29
22 + 22 + 50 + 71	1.31 / 1.47	1.31 / 1.47	2.97 / 3.33	4.22 / 4.73
22 + 25 + 25 + 25	1.93 / 2.27	2.19 / 2.58	2.19 / 2.58	2.19 / 2.58
22 + 25 + 25 + 35	1.79 / 2.10	2.03 / 2.38	2.03 / 2.38	2.85 / 3.34
22 + 25 + 25 + 50	1.62 / 1.91	1.84 / 2.17	1.84 / 2.17	3.69 / 4.34
22 + 25 + 25 + 60	1.53 / 1.80	1.74 / 2.05	1.74 / 2.05	4.18 / 4.91
22 + 25 + 25 + 71	1.45 / 1.69	1.64 / 1.92	1.64 / 1.92	4.67 / 5.46
22 + 25 + 35 + 35	1.67 / 1.96	1.90 / 2.22	2.66 / 3.11	2.66 / 3.11
22 + 25 + 35 + 50	1.53 / 1.80	1.74 / 2.05	2.44 / 2.86	3.48 / 4.09
22 + 25 + 35 + 60	1.46 / 1.70	1.65 / 1.94	2.32 / 2.71	3.97 / 4.65
22 + 25 + 35 + 71	1.38 / 1.58	1.57 / 1.80	2.20 / 2.52	4.45 / 5.10
22 + 25 + 50 + 50	1.42 / 1.65	1.62 / 1.87	3.23 / 3.74	3.23 / 3.74
22 + 25 + 50 + 60	1.35 / 1.54	1.53 / 1.75	3.06 / 3.50	3.67 / 4.20
22 + 25 + 50 + 71	1.28 / 1.44	1.46 / 1.64	2.92 / 3.27	4.14 / 4.65
22 + 35 + 35 + 35	1.58 / 1.85	2.51 / 2.95	2.51 / 2.95	2.51 / 2.95
22 + 35 + 35 + 50	1.46 / 1.70	2.32 / 2.71	2.32 / 2.71	3.31 / 3.87
22 + 35 + 35 + 60	1.39 / 1.59	2.21 / 2.53	2.21 / 2.53	3.79 / 4.34
22 + 35 + 35 + 71	1.31 / 1.48	2.08 / 2.36	2.08 / 2.36	4.23 / 4.79
22 + 35 + 50 + 50	1.35 / 1.54	2.14 / 2.45	3.06 / 3.50	3.06 / 3.50
22 + 35 + 50 + 60	1.29 / 1.45	2.05 / 2.31	2.93 / 3.29	3.52 / 3.95
25 + 25 + 25 + 25	2.15 / 2.50	2.15 / 2.50	2.15 / 2.50	2.15 / 2.50
25 + 25 + 25 + 35	2.00 / 2.34	2.00 / 2.34	2.00 / 2.34	2.80 / 3.28
25 + 25 + 25 + 50	1.82 / 2.12	1.82 / 2.12	1.82 / 2.12	3.64 / 4.24
25 + 25 + 25 + 60	1.72 / 2.02	1.72 / 2.02	1.72 / 2.02	4.13 / 4.84
25 + 25 + 25 + 71	1.63 / 1.88	1.63 / 1.88	1.63 / 1.88	4.62 / 5.35
25 + 25 + 35 + 35	1.88 / 2.19	1.88 / 2.19	2.63 / 3.06	2.63 / 3.06
25 + 25 + 35 + 50	1.72 / 2.02	1.72 / 2.02	2.41 / 2.83	3.44 / 4.04
25 + 25 + 35 + 60	1.64 / 1.90	1.64 / 1.90	2.29 / 2.66	3.93 / 4.54
25 + 25 + 35 + 71	1.54 / 1.76	1.54 / 1.76	2.15 / 2.47	4.37 / 5.01
25 + 25 + 50 + 50	1.58 / 1.83	1.58 / 1.83	3.17 / 3.67	3.17 / 3.67
25 + 25 + 50 + 60	1.52 / 1.72	1.52 / 1.72	3.03 / 3.44	3.64 / 4.13
25 + 25 + 50 + 71	1.43 / 1.61	1.43 / 1.61	2.87 / 3.22	4.07 / 4.57
25 + 35 + 35 + 35	1.77 / 2.08	2.48 / 2.91	2.48 / 2.91	2.48 / 2.91
25 + 35 + 35 + 50	1.64 / 1.90	2.29 / 2.66	2.29 / 2.66	3.28 / 3.79
25 + 35 + 35 + 60	1.55 / 1.77	2.17 / 2.48	2.17 / 2.48	

Indoor unit combination	Cooling / Heating Capacity (kW)				
	Unit A	Unit B	Unit C	Unit D	Unit E
5 ROOMS					
22 + 22 + 22 + 22 + 22	2.00 / 2.40	2.00 / 2.40	2.00 / 2.40	2.00 / 2.40	2.00 / 2.40
22 + 22 + 22 + 22 + 25	1.95 / 2.34	1.95 / 2.34	1.95 / 2.34	1.95 / 2.34	2.21 / 2.65
22 + 22 + 22 + 22 + 35	1.79 / 2.15	1.79 / 2.15	1.79 / 2.15	1.79 / 2.15	2.85 / 3.41
22 + 22 + 22 + 22 + 50	1.59 / 1.91	1.59 / 1.91	1.59 / 1.91	1.59 / 1.91	3.62 / 4.35
22 + 22 + 22 + 22 + 60	1.49 / 1.78	1.49 / 1.78	1.49 / 1.78	1.49 / 1.78	4.05 / 4.86
22 + 22 + 22 + 22 + 71	1.38 / 1.66	1.38 / 1.66	1.38 / 1.66	1.38 / 1.66	4.47 / 5.36
22 + 22 + 22 + 25 + 25	1.90 / 2.28	1.90 / 2.28	1.90 / 2.28	2.16 / 2.59	2.16 / 2.59
22 + 22 + 22 + 25 + 35	1.75 / 2.10	1.75 / 2.10	1.75 / 2.10	1.98 / 2.38	2.78 / 3.33
22 + 22 + 22 + 25 + 50	1.56 / 1.87	1.56 / 1.87	1.56 / 1.87	1.77 / 2.13	3.55 / 4.26
22 + 22 + 22 + 25 + 60	1.46 / 1.75	1.46 / 1.75	1.46 / 1.75	1.66 / 1.99	3.97 / 4.77
22 + 22 + 22 + 25 + 71	1.36 / 1.63	1.36 / 1.63	1.36 / 1.63	1.54 / 1.85	4.38 / 5.26
22 + 22 + 22 + 35 + 35	1.62 / 1.94	1.62 / 1.94	1.62 / 1.94	2.57 / 3.09	2.57 / 3.09
22 + 22 + 22 + 35 + 50	1.46 / 1.75	1.46 / 1.75	1.46 / 1.75	2.32 / 2.78	3.31 / 3.97
22 + 22 + 22 + 35 + 60	1.37 / 1.64	1.37 / 1.64	1.37 / 1.64	2.17 / 2.61	3.73 / 4.47
22 + 22 + 22 + 35 + 71	1.28 / 1.53	1.28 / 1.53	1.28 / 1.53	2.03 / 2.44	4.13 / 4.95
22 + 22 + 25 + 25 + 25	1.85 / 2.22	1.85 / 2.22	2.10 / 2.52	2.10 / 2.52	2.10 / 2.52
22 + 22 + 25 + 25 + 35	1.71 / 2.05	1.71 / 2.05	1.94 / 2.33	1.94 / 2.33	2.71 / 3.26
22 + 22 + 25 + 25 + 50	1.53 / 1.83	1.53 / 1.83	1.74 / 2.08	1.74 / 2.08	3.47 / 4.17
22 + 22 + 25 + 25 + 60	1.43 / 1.71	1.43 / 1.71	1.62 / 1.95	1.62 / 1.95	3.90 / 4.68
22 + 22 + 25 + 25 + 71	1.33 / 1.60	1.33 / 1.60	1.52 / 1.82	1.52 / 1.82	4.30 / 5.16
22 + 22 + 25 + 35 + 35	1.58 / 1.90	1.58 / 1.90	1.80 / 2.16	2.52 / 3.02	2.52 / 3.02
22 + 22 + 25 + 35 + 50	1.43 / 1.71	1.43 / 1.71	1.62 / 1.95	2.27 / 2.73	3.25 / 3.90
22 + 22 + 25 + 35 + 60	1.34 / 1.61	1.34 / 1.61	1.52 / 1.83	2.13 / 2.56	3.66 / 4.39
22 + 22 + 35 + 35 + 35	1.48 / 1.77	1.48 / 1.77	2.35 / 2.82	2.35 / 2.82	2.35 / 2.82
22 + 22 + 35 + 35 + 50	1.34 / 1.61	1.34 / 1.61	2.13 / 2.56	2.13 / 2.56	3.05 / 3.66
22 + 25 + 25 + 25 + 25	1.80 / 2.16	2.05 / 2.46	2.05 / 2.46	2.05 / 2.46	2.05 / 2.46
22 + 25 + 25 + 25 + 35	1.67 / 2.00	1.89 / 2.27	1.89 / 2.27	1.89 / 2.27	2.65 / 3.18
22 + 25 + 25 + 25 + 50	1.50 / 1.80	1.70 / 2.04	1.70 / 2.04	1.70 / 2.04	3.40 / 4.08
22 + 25 + 25 + 25 + 60	1.40 / 1.68	1.59 / 1.91	1.59 / 1.91	1.59 / 1.91	3.82 / 4.59
22 + 25 + 25 + 25 + 71	1.31 / 1.57	1.49 / 1.79	1.49 / 1.79	1.49 / 1.79	4.23 / 5.07
22 + 25 + 25 + 35 + 35	1.55 / 1.86	1.76 / 2.11	1.76 / 2.11	2.46 / 2.96	2.46 / 2.96
22 + 25 + 25 + 35 + 50	1.40 / 1.68	1.59 / 1.91	1.59 / 1.91	2.23 / 2.68	3.18 / 3.82
22 + 25 + 25 + 35 + 60	1.32 / 1.58	1.50 / 1.80	1.50 / 1.80	2.10 / 2.51	3.59 / 4.31
22 + 25 + 35 + 35 + 35	1.45 / 1.74	1.64 / 1.97	2.30 / 2.76	2.30 / 2.76	2.30 / 2.76
22 + 25 + 35 + 35 + 50	1.32 / 1.58	1.50 / 1.80	2.10 / 2.51	2.10 / 2.51	2.99 / 3.59
22 + 35 + 35 + 35 + 35	1.36 / 1.63	2.16 / 2.59	2.16 / 2.59	2.16 / 2.59	2.16 / 2.59
25 + 25 + 25 + 25 + 25	2.00 / 2.40	2.00 / 2.40	2.00 / 2.40	2.00 / 2.40	2.00 / 2.40
25 + 25 + 25 + 25 + 35	1.85 / 2.22	1.85 / 2.22	1.85 / 2.22	1.85 / 2.22	2.59 / 3.11
25 + 25 + 25 + 25 + 50	1.67 / 2.00	1.67 / 2.00	1.67 / 2.00	1.67 / 2.00	3.33 / 4.00
25 + 25 + 25 + 25 + 60	1.56 / 1.88	1.56 / 1.88	1.56 / 1.88	1.56 / 1.88	3.75 / 4.50
25 + 25 + 25 + 25 + 71	1.46 / 1.75	1.46 / 1.75	1.46 / 1.75	1.46 / 1.75	4.15 / 4.98
25 + 25 + 25 + 35 + 35	1.72 / 2.07	1.72 / 2.07	1.72 / 2.07	2.41 / 2.90	2.41 / 2.90
25 + 25 + 25 + 35 + 50	1.56 / 1.88	1.56 / 1.88	1.56 / 1.88	2.19 / 2.63	3.13 / 3.75
25 + 25 + 25 + 35 + 60	1.47 / 1.76	1.47 / 1.76	1.47 / 1.76	2.06 / 2.47	3.53 / 4.24
25 + 25 + 35 + 35 + 35	1.61 / 1.94	1.61 / 1.94	2.26 / 2.71	2.26 / 2.71	2.26 / 2.71
25 + 25 + 35 + 35 + 50	1.47 / 1.76	1.47 / 1.76	2.06 / 2.47	2.06 / 2.47	2.94 / 3.53

MXZ-6C120VA

1 Outdoor Unit Up to 6 Indoor Units

Indoor unit combination	Cooling / Heating Capacity (kW)			
	Unit A	Unit B	Unit C	Unit D
1 ROOM				
22	2.20 / 3.30			
25	2.50 / 3.60			
35	3.50 / 4.00			
50	5.00 / 7.20			
60	6.00 / 7.90			
71	7.10 / 8.60			
2 ROOMS				
22 + 22	2.20 / 3.30	2.20 / 3.30		
22 + 25	2.20 / 3.23	2.50 / 3.67		
22 + 35	2.20 / 2.89	3.50 / 4.61		
22 + 50	2.20 / 2.57	5.00 / 5.83		
22 + 60	2.20 / 2.79	6.00 / 7.61		
22 + 71	2.06 / 2.63	6.64 / 8.47		
25 + 25	2.50 / 3.60	2.50 / 3.60		
25 + 35	2.50 / 3.17	3.50 / 4.43		
25 + 50	2.50 / 3.00	5.00 / 6.00		
25 + 60	2.47 / 3.18	5.93 / 7.62		
25 + 71	2.29 / 2.92	6.51 / 8.28		
35 + 35	3.50 / 4.00	3.50 / 4.00		
35 + 50	3.46 / 4.45	4.94 / 6.35		
35 + 60	3.21 / 4.09	5.49 / 7.01		
35 + 71	3.00 / 3.73	6.10 / 7.57		
50 + 50	4.45 / 5.65	4.45 / 5.65		
50 + 60	4.23 / 5.14	5.07 / 6.16		
50 + 71	3.97 / 4.67	5.63 / 6.63		
60 + 60	4.80 / 5.65	4.80 / 5.65		
60 + 71	4.44 / 5.18	5.26 / 6.12		
71 + 71	4.85 / 5.65	4.85 / 5.65		
3 ROOMS				
22 + 22 + 22	2.20 / 3.30	2.20 / 3.30	2.20 / 3.30	
22 + 22 + 25	2.20 / 3.25	2.20 / 3.25	2.50 / 3.70	
22 + 22 + 35	2.09 / 3.06	2.09 / 3.06	3.32 / 4.87	
22 + 22 + 50	2.08 / 2.71	2.08 / 2.71	4.73 / 6.17	
22 + 22 + 60	2.03 / 2.54	2.03 / 2.54	5.54 / 6.92	
22 + 22 + 71	1.86 / 2.35	1.86 / 2.35	5.99 / 7.59	
22 + 25 + 25	2.20 / 3.21	2.50 / 3.65	2.50 / 3.65	
22 + 25 + 35	2.20 / 2.98	2.50 / 3.38	3.50 / 4.74	

Indoor unit combination	Cooling / Heating Capacity (kW)			
	Unit A	Unit B	Unit C	Unit D
22 + 25 + 50	2.02 / 2.65	2.29 / 3.02	4.59 / 6.03	
22 + 25 + 60	1.97 / 2.49	2.24 / 2.83	5.38 / 6.79	
22 + 25 + 71	1.83 / 2.31	2.08 / 2.63	5.90 / 7.46	
22 + 35 + 35	2.13 / 2.75	3.39 / 4.38	3.39 / 4.38	
22 + 35 + 50	1.97 / 2.49	3.14 / 3.96	4.49 / 5.65	
22 + 35 + 60	1.84 / 2.31	2.93 / 3.68	5.03 / 6.31	
22 + 35 + 71	1.72 / 2.17	2.73 / 3.45	5.55 / 6.99	
22 + 50 + 50	1.77 / 2.25	4.02 / 5.12	4.02 / 5.12	
22 + 50 + 60	1.68 / 2.12	3.83 / 4.81	4.59 / 5.77	
22 + 50 + 71	1.60 / 2.00	3.64 / 4.55	5.16 / 6.45	
22 + 60 + 60	1.61 / 2.00	4.39 / 5.45	4.39 / 5.45	
22 + 60 + 71	1.54 / 1.90	4.20 / 5.18	4.97 / 6.13	
22 + 71 + 71	1.48 / 1.78	4.76 / 5.76	4.76 / 5.76	
25 + 25 + 25	2.50 / 3.60	2.50 / 3.60	2.50 / 3.60	
25 + 25 + 35	2.41 / 3.29	2.41 / 3.29	3.38 / 4.61	
25 + 25 + 50	2.40 / 2.95	2.40 / 2.95	4.80 / 5.90	
25 + 25 + 60	2.20 / 2.75	2.20 / 2.75	5.29 / 6.60	
25 + 25 + 71	2.02 / 2.58	2.02 / 2.58	5.75 / 7.33	
25 + 35 + 35	2.34 / 3.05	3.28 / 4.27	3.28 / 4.27	
25 + 35 + 50	2.20 / 2.75	3.09 / 3.85	4.41 / 5.50	
25 + 35 + 60	2.04 / 2.58	2.86 / 3.62	4.90 / 6.20	
25 + 35 + 71	1.91 / 2.42	2.67 / 3.39	5.42 / 6.88	
25 + 50 + 50	1.98 / 2.52	3.96 / 5.04	3.96 / 5.04	
25 + 50 + 60	1.89 / 2.37	3.78 / 4.74	4.53 / 5.69	
25 + 50 + 71	1.80 / 2.23	3.60 / 4.45	5.11 / 6.32	
25 + 60 + 60	1.81 / 2.24	4.34 / 5.38	4.34 / 5.38	
25 + 60 + 71	1.73 / 2.12	4.15 / 5.08	4.92 / 6.01	
25 + 71 + 71	1.66 / 2.01	4.72 / 5.70	4.72 / 5.70	
35 + 35 + 35	3.20 / 4.00	3.20 / 4.00	3.20 / 4.00	
35 + 35 + 50	2.86 / 3.62	2.86 / 3.62	4.08 / 5.17	
35 + 35 + 60	2.69 / 3.42	2.69 / 3.42	4.62 / 5.86	
35 + 35 + 71	2.56 / 3.20	2.56 / 3.20	5.19 / 6.50	
35 + 50 + 50	2.64 / 3.32	3.78 / 4.74	3.78 / 4.74	
35 + 50 + 60	2.53 / 3.14	3.62 / 4.48	4.34 / 5.38	
35 + 50 + 71	2.42 / 2.96	3.46 / 4.23	4.92 / 6.01	
35 + 60 + 60	2.44 / 2.98	4.18 / 5.11	4.18 / 5.11	
35 + 60 + 71	2.34 / 2.83	4.01 / 4.84	4.75 / 5.73	
35 + 71 + 71	2.25 / 2.69	4.57 / 5.46	4.57 / 5.46	
50 + 50 + 50	3.53 / 4.37	3.53 / 4.37	3.53 / 4.37	
50 + 50 + 60	3.41 / 4.16	3.41 / 4.16	4.09 / 4.99	
50 + 50 + 71	3.27 / 3.95	3.27 / 3.95	4.65 / 5.61	
50 + 60 + 60	3.29 / 3.94	3.95 / 4.73	3.95 / 4.73	
60 + 60 + 60	3.83 / 4.53	3.83 / 4.53	3.83 / 4.53	

Indoor unit combination	Cooling / Heating Capacity (kW)			
	Unit A	Unit B	Unit C	Unit D
4 ROOMS				
22 + 22 + 22 + 22	2.20 / 2.85	2.20 / 2.85	2.20 / 2.85	2.20 / 2.85
22 + 22 + 22 + 25	2.20 / 2.80	2.20 / 2.80	2.20 / 2.80	2.50 / 3.19
22 + 22 + 22 + 35	2.18 / 2.61	2.18 / 2.61	2.18 / 2.61	3.47 / 4.17
22 + 22 + 22 + 50	1.95 / 2.37	1.95 / 2.37	1.95 / 2.37	4.44 / 5.39
22 + 22 + 22 + 60	1.83 / 2.23	1.83 / 2.23	1.83 / 2.23	5.00 / 6.10
22 + 22 + 22 + 71	1.70 / 2.10	1.70 / 2.10	1.70 / 2.10	5.49 / 6.79
22 + 22 + 25 + 25	2.20 / 2.74	2.20 / 2.74	2.50 / 3.11	2.50 / 3.11
22 + 22 + 25 + 35	2.14 / 2.56	2.14 / 2.56	2.43 / 2.91	3.40 / 4.07
22 + 22 + 25 + 50	1.90 / 2.33	1.90 / 2.33	2.16 / 2.65	4.33 / 5.29
22 + 22 + 25 + 60	1.79 / 2.20	1.79 / 2.20	2.03 / 2.50	4.88 / 6.00
22 + 22 + 25 + 71	1.68 / 2.07	1.68 / 2.07	1.91 / 2.36	5.43 / 6.69
22 + 22 + 35 + 35	1.97 / 2.39	1.97 / 2.39	3.13 / 3.81	3.13 / 3.81
22 + 22 + 35 + 50	1.79 / 2.20	1.79 / 2.20	2.85 / 3.50	4.07 / 5.00
22 + 22 + 35 + 60	1.69 / 2.09	1.69 / 2.09	2.69 / 3.32	4.62 / 5.70
22 + 22 + 35 + 71	1.57 / 1.94	1.57 / 1.94	2.50 / 3.08	5.06 / 6.25
22 + 22 + 50 + 50	1.63 / 2.02	1.63 / 2.02	3.72 / 4.58	3.72 / 4.58
22 + 22 + 50 + 60	1.54 / 1.89	1.54 / 1.89	3.51 / 4.29	4.21 / 5.14
22 + 22 + 50 + 71	1.44 / 1.76	1.44 / 1.76	3.27 / 4.00	4.65 / 5.68
22 + 22 + 60 + 60	1.45 / 1.77	1.45 / 1.77	3.95 / 4.83	3.95 / 4.83
22 + 22 + 60 + 71	1.36 / 1.58	1.36 / 1.58	3.70 / 4.32	4.38 / 5.11
22 + 25 + 25 + 25	2.20 / 2.70	2.50 / 3.07	2.50 / 3.07	2.50 / 3.07
22 + 25 + 25 + 35	2.08 / 2.51	2.36 / 2.85	2.36 / 2.85	3.30 / 3.99
22 + 25 + 25 + 50	1.88 / 2.29	2.13 / 2.60	2.13 / 2.60	4.26 / 5.20
22 + 25 + 25 + 60	1.77 / 2.17	2.01 / 2.46	2.01 / 2.46	4.82 / 5.91
22 + 25 + 25 + 71	1.65 / 2.03	1.87 / 2.31	1.87 / 2.31	5.31 / 6.55
22 + 25 + 35 + 35	1.94 / 2.35	2.20 / 2.67	3.08 / 3.74	3.08 / 3.74
22 + 25 + 35 + 50	1.77 / 2.17	2.01 / 2.46	2.81 / 3.45	4.02 / 4.92
22 + 25 + 35 + 60	1.66 / 2.05	1.88 / 2.32	2.64 / 3.25	4.52 / 5.58
22 + 25 + 35 + 71	1.54 / 1.90	1.75 / 2.16	2.45 / 3.02	4.97 / 6.13
22 + 25 + 50 + 50	1.60 / 1.98	1.82 / 2.24	3.64 / 4.49	3.64 / 4.49
22 + 25 + 50 + 60	1.51 / 1.85	1.72 / 2.10	3.44 / 4.20	4.13 / 5.04
22 + 25 + 50 + 71	1.41 / 1.73	1.61 / 1.96	3.21 / 3.93	4.56 / 5.58
22 + 25 + 60 + 60	1.42 / 1.74	1.62 / 1.98	3.88 / 4.74	3.88 / 4.74
22 + 25 + 60 + 71	1.33 / 1.56	1.52 / 1.77	3.64 / 4.25	4.31 / 5.03
22 + 35 + 35 + 35	1.83 / 2.22	2.89 / 3.53	2.89 / 3.53	2.89 / 3.53
22 + 35 + 35 + 50	1.66 / 2.05	2.64 / 3.25	2.64 / 3.25	3.77 / 4.65

Indoor unit combination	Cooling / Heating Capacity (kW)			
	Unit A	Unit B	Unit C	Unit D
22 + 35 + 35 + 60	1.55 / 1.91	2.46 / 3.04	2.46 / 3.04	4.22 / 5.21
22 + 35 + 35 + 71	1.46 / 1.78	2.32 / 2.83	2.32 / 2.83	4.70 / 5.75
22 + 35 + 50 + 50	1.51 / 1.85	2.41 / 2.94	3.44 / 4.20	3.44 / 4.20
22 + 35 + 50 + 60	1.42 / 1.74	2.26 / 2.77	3.23 / 3.95	3.88 / 4.74
22 + 35 + 50 + 71	1.33 / 1.56	2.12 / 2.48	3.03 / 3.54	4.31 / 5.03
22 + 35 + 60 + 60	1.34 / 1.57	2.14 / 2.49	3.66 / 4.27	3.66 / 4.27
22 + 50 + 50 + 50	1.38 / 1.61	3.14 / 3.66	3.14 / 3.66	3.14 / 3.66
25 + 25 + 25 + 25	2.50 / 3.00	2.50 / 3.00	2.50 / 3.00	2.50 / 3.00
25 + 25 + 25 + 35	2.32 / 2.80	2.32 / 2.80	2.32 / 2.80	3.25 / 3.91
25 + 25 + 25 + 50	2.08 / 2.56	2.08 / 2.56	2.08 / 2.56	4.16 / 5.12
25 + 25 + 25 + 60	1.96 / 2.43	1.96 / 2.43	1.96 / 2.43	4.71 / 5.82
25 + 25 + 25 + 71	1.83 / 2.26	1.83 / 2.26	1.83 / 2.26	5.20 / 6.42
25 + 25 + 35 + 35	2.17 / 2.63	2.17 / 2.63	3.03 / 3.68	3.03 / 3.68
25 + 25 + 35 + 50	1.96 / 2.43	1.96 / 2.43	2.75 / 3.40	3.93 / 4.85
25 + 25 + 35 + 60	1.84 / 2.28	1.84 / 2.28	2.58 / 3.19	4.43 / 5.46
25 + 25 + 35 + 71	1.73 / 2.12	1.73 / 2.12	2.42 / 2.96	4.92 / 6.01
25 + 25 + 50 + 50	1.78 / 2.20	1.78 / 2.20	3.57 / 4.40	3.57 / 4.40
25 + 25 + 50 + 60	1.69 / 2.06	1.69 / 2.06	3.38 / 4.13	4.05 / 4.95
25 + 25 + 50 + 71	1.58 / 1.84	1.58 / 1.84	3.16 / 3.68	4.48 / 5.23
25 + 25 + 60 + 60	1.59 / 1.85	1.59 / 1.85	3.81 / 4.45	3.81 / 4.45
25 + 35 + 35 + 35	2.02 / 2.48	2.83 / 3.47	2.83 / 3.47	2.83 / 3.47
25 + 35 + 35 + 50	1.84 / 2.28	2.58 / 3.19	2.58 / 3.19	3.69 / 4.55
25 + 35 + 35 + 60	1.74 / 2.13	2.44 / 2.98	2.44 / 2.98	4.18 / 5.11
25 + 35 + 35 + 71	1.63 / 1.99	2.28 / 2.78	2.28 / 2.78	4.62 / 5.65
25 + 35 + 50 + 50	1.69 / 2.06	2.36 / 2.89	3.38 / 4.13	3.38 / 4.13
25 + 35 + 50 + 60	1.59 / 1.85	2.22 / 2.59	3.18 / 3.71	3.81 / 4.45
25 + 35 + 60 + 60	1.50 / 1.75	2.10 / 2.45	3.60 / 4.20	3.60 / 4.20
25 + 50 + 50 + 50	1.54 / 1.80	3.09 / 3.60	3.09 / 3.60	3.09 / 3.60
35 + 35 + 35 + 35	2.68 / 3.30	2.68 / 3.30	2.68 / 3.30	2.68 / 3.30
35 + 35 + 35 + 50	2.44 / 2.98	2.44 / 2.98	2.44 / 2.98	3.48 / 4.26
35 + 35 + 35 + 60	2.29 / 2.80	2.29 / 2.80	2.29 / 2.80	3.93 / 4.80
35 + 35 + 35 + 71	2.15 / 2.51	2.15 / 2.51	2.15 / 2.51	4.36 / 5.08
35 + 35 + 50 + 50	2.22 / 2.59	2.22 / 2.59	3.18 / 3.71	3.18 / 3.71
35 + 35 + 50 + 60	2.10 / 2.45	2.10 / 2.45	3.00 / 3.50	3.60 / 4.20

Indoor unit combination	Cooling / Heating Capacity (kW)				
	Unit A	Unit B	Unit C	Unit D	Unit E
5 ROOMS					
22 + 22 + 22 + 22 + 22	2.20 / 2.62	2.20 / 2.62	2.20 / 2.62	2.20 / 2.62	2.20 / 2.62
22 + 22 + 22 + 22 + 25	2.18 / 2.57	2.18 / 2.57	2.18 / 2.57	2.18 / 2.57	2.48 / 2.92
22 + 22 + 22 + 22 + 35	2.11 / 2.40	2.11 / 2.40	2.11 / 2.40	2.11 / 2.40	3.36 / 3.81
22 + 22 + 22 + 22 + 50	1.91 / 2.14	1.91 / 2.14	1.91 / 2.14	1.91 / 2.14	4.35 / 4.86
22 + 22 + 22 + 22 + 60	1.78 / 1.99	1.78 / 1.99	1.78 / 1.99	1.78 / 1.99	4.86 / 5.43
22 + 22 + 22 + 22 + 71	1.67 / 1.85	1.67 / 1.85	1.67 / 1.85	1.67 / 1.85	5.40 / 5.98
22 + 22 + 22 + 25 + 25	2.16 / 2.50	2.16 / 2.50	2.16 / 2.50	2.46 / 2.84	2.46 / 2.84
22 + 22 + 22 + 25 + 35	2.08 / 2.34	2.08 / 2.34	2.08 / 2.34	2.36 / 2.66	3.31 / 3.72
22 + 22 + 22 + 25 + 50	1.87 / 2.09	1.87 / 2.09	1.87 / 2.09	2.13 / 2.38	4.26 / 4.75
22 + 22 + 22 + 25 + 60	1.76 / 1.95	1.76 / 1.95	1.76 / 1.95	2.00 / 2.22	4.81 / 5.32
22 + 22 + 22 + 25 + 71	1.64 / 1.82	1.64 / 1.82	1.64 / 1.82	1.87 / 2.07	5.30 / 5.87
22 + 22 + 22 + 35 + 35	1.94 / 2.17	1.94 / 2.17	1.94 / 2.17	3.09 / 3.45	3.09 / 3.45
22 + 22 + 22 + 35 + 50	1.76 / 1.95	1.76 / 1.95	1.76 / 1.95	2.80 / 3.11	4.01 / 4.44
22 + 22 + 22 + 35 + 60	1.65 / 1.83	1.65 / 1.83	1.65 / 1.83	2.63 / 2.91	4.51 / 4.99
22 + 22 + 22 + 35 + 71	1.56 / 1.71	1.56 / 1.71	1.56 / 1.71	2.48 / 2.73	5.04 / 5.53
22 + 22 + 22 + 50 + 50	1.60 / 1.78	1.60 / 1.78	1.60 / 1.78	3.64 / 4.04	3.64 / 4.04
22 + 22 + 22 + 50 + 60	1.53 / 1.68	1.53 / 1.68	1.53 / 1.68	3.47 / 3.81	4.16 / 4.57
22 + 22 + 25 + 25 + 25	2.13 / 2.46	2.13 / 2.46	2.42 / 2.79	2.42 / 2.79	2.42 / 2.79
22 + 22 + 25 + 25 + 35	2.03 / 2.29	2.03 / 2.29	2.31 / 2.60	2.31 / 2.60	3.23 / 3.64
22 + 22 + 25 + 25 + 50	1.83 / 2.05	1.83 / 2.05	2.08 / 2.33	2.08 / 2.33	4.17 / 4.65
22 + 22 + 25 + 25 + 60	1.73 / 1.91	1.73 / 1.91	1.96 / 2.18	1.96 / 2.18	4.71 / 5.22
22 + 22 + 25 + 25 + 71	1.61 / 1.79	1.61 / 1.79	1.83 / 2.03	1.83 / 2.03	5.21 / 5.77
22 + 22 + 25 + 35 + 35	1.90 / 2.12	1.90 / 2.12	2.16 / 2.41	3.02 / 3.37	3.02 / 3.37
22 + 22 + 25 + 35 + 50	1.73 / 1.91	1.73 / 1.91	1.96 / 2.18	2.75 / 3.05	3.93 / 4.35
22 + 22 + 25 + 35 + 60	1.62 / 1.80	1.62 / 1.80	1.84 / 2.04	2.58 / 2.86	4.43 / 4.90
22 + 22 + 25 + 35 + 71	1.53 / 1.68	1.53 / 1.68	1.74 / 1.91	2.44 / 2.68	4.95 / 5.44
22 + 22 + 25 + 50 + 50	1.59 / 1.74	1.59 / 1.74	1.80 / 1.98	3.61 / 3.96	3.61 / 3.96
22 + 22 + 25 + 50 + 60	1.50 / 1.65	1.50 / 1.65	1.70 / 1.87	3.41 / 3.74	4.09 / 4.49
22 + 22 + 35 + 35 + 35	1.77 / 1.98	1.77 / 1.98	2.82 / 3.15	2.82 / 3.15	2.82 / 3.15
22 + 22 + 35 + 35 + 50	1.62 / 1.80	1.62 / 1.80	2.58 / 2.86	2.58 / 2.86	3.69 / 4.09
22 + 22 + 35 + 35 + 60	1.54 / 1.69	1.54 / 1.69	2.45 / 2.70	2.45 / 2.70	4.21 / 4.62
22 + 22 + 35 + 50 + 50	1.50 / 1.65	1.50 / 1.65	2.39 / 2.62	3.41 / 3.74	3.41 / 3.74
22 + 25 + 25 + 25 + 25	2.11 / 2.40	2.40 / 2.73	2.40 / 2.73	2.40 / 2.73	2.40 / 2.73
22 + 25 + 25 + 25 + 35	1.98 / 2.23	2.25 / 2.54	2.25 / 2.54	2.25 / 2.54	3.17 / 3.55
22 + 25 + 25 + 25 + 50	1.80 / 2.01	2.04 / 2.28	2.04 / 2.28	2.04 / 2.28	4.08 / 4.56
22 + 25 + 25 + 25 + 60	1.70 / 1.88	1.93 / 2.13	1.93 / 2.13	1.93 / 2.13	4.62 / 5.12
22 + 25 + 25 + 25 + 71	1.60 / 1.75	1.82 / 1.99	1.82 / 1.99	1.82 / 1.99	5.16 / 5.66
22 + 25 + 25 + 35 + 35	1.86 / 2.08	2.11 / 2.36	2.11 / 2.36	2.96 / 3.30	2.96 / 3.30
22 + 25 + 25 + 35 + 50	1.70 / 1.88	1.93 / 2.13	1.93 / 2.13	2.70 / 2.99	3.85 / 4.27
22 + 25 + 25 + 35 + 60	1.61 / 1.77	1.83 / 2.01	1.83 / 2.01	2.56 / 2.81	4.38 / 4.81
22 + 25 + 25 + 35 + 71	1.51 / 1.66	1.71 / 1.88	1.71 / 1.88	2.40 / 2.63	4.87 / 5.34
22 + 25 + 25 + 50 + 50	1.56 / 1.71	1.77 / 1.95	1.77 / 1.95	3.55 / 3.90	3.55 / 3.90
22 + 25 + 35 + 35 + 35	1.75 / 1.94	1.99 / 2.20	2.79 / 3.09	2.79 / 3.09	2.79 / 3.09
22 + 25 + 35 + 35 + 50	1.61 / 1.77	1.83 / 2.01	2.56 / 2.81	2.56 / 2.81	3.65 / 4.01
22 + 25 + 35 + 35 + 60	1.52 / 1.67	1.72 / 1.89	2.41 / 2.65	2.41 / 2.65	4.14 / 4.54
22 + 35 + 35 + 35 + 35	1.64 / 1.82	2.61 / 2.90	2.61 / 2.90	2.61 / 2.90	2.61 / 2.90
22 + 35 + 35 + 35 + 50	1.52 / 1.67	2.41 / 2.65	2.41 / 2.65	2.41 / 2.65	3.45 / 3.79
25 + 25 + 25 + 25 + 25	2.38 / 2.68	2.38 / 2.68	2.38 / 2.68	2.38 / 2.68	2.38 / 2.68
25 + 25 + 25 + 25 + 35	2.22 / 2.48	2.22 / 2.48	2.22 / 2.48	2.22 / 2.48	3.12 / 3.47
25 + 25 + 25 + 25 + 50	2.02 / 2.23	2.02 / 2.23	2.02 / 2.23	2.02 / 2.23	4.03 / 4.47</

Indoor unit combination	Cooling / Heating Capacity (kW)					
	Unit A	Unit B	Unit C	Unit D	Unit E	Unit F
25 + 25 + 25 + 35 + 50	1.89 / 2.09	1.89 / 2.09	1.89 / 2.09	2.65 / 2.93	3.78 / 4.19	
25 + 25 + 25 + 35 + 60	1.79 / 1.97	1.79 / 1.97	1.79 / 1.97	2.51 / 2.76	4.31 / 4.73	
25 + 25 + 25 + 50 + 50	1.74 / 1.91	1.74 / 1.91	1.74 / 1.91	3.49 / 3.83	3.49 / 3.83	
25 + 25 + 35 + 35 + 35	1.95 / 2.16	1.95 / 2.16	2.73 / 3.03	2.73 / 3.03	2.73 / 3.03	
25 + 25 + 35 + 35 + 50	1.79 / 1.97	1.79 / 1.97	2.51 / 2.76	2.51 / 2.76	3.59 / 3.94	
25 + 25 + 35 + 35 + 60	1.69 / 1.86	1.69 / 1.86	2.37 / 2.61	2.37 / 2.61	4.07 / 4.47	
25 + 35 + 35 + 35 + 35	1.83 / 2.03	2.57 / 2.84	2.57 / 2.84	2.57 / 2.84	2.57 / 2.84	
25 + 35 + 35 + 35 + 50	1.69 / 1.86	2.37 / 2.61	2.37 / 2.61	2.37 / 2.61	3.39 / 3.72	
35 + 35 + 35 + 35 + 35	2.44 / 2.68	2.44 / 2.68	2.44 / 2.68	2.44 / 2.68	2.44 / 2.68	
6 ROOMS						
22 + 22 + 22 + 22 + 22 + 22	2.00 / 2.33	2.00 / 2.33	2.00 / 2.33	2.00 / 2.33	2.00 / 2.33	2.00 / 2.33
22 + 22 + 22 + 22 + 22 + 25	1.96 / 2.28	1.96 / 2.28	1.96 / 2.28	1.96 / 2.28	1.96 / 2.28	2.22 / 2.59
22 + 22 + 22 + 22 + 22 + 35	1.82 / 2.12	1.82 / 2.12	1.82 / 2.12	1.82 / 2.12	1.82 / 2.12	2.90 / 3.38
22 + 22 + 22 + 22 + 22 + 50	1.65 / 1.93	1.65 / 1.93	1.65 / 1.93	1.65 / 1.93	1.65 / 1.93	3.75 / 4.38
22 + 22 + 22 + 22 + 22 + 60	1.55 / 1.81	1.55 / 1.81	1.55 / 1.81	1.55 / 1.81	1.55 / 1.81	4.24 / 4.94
22 + 22 + 22 + 22 + 25 + 25	1.91 / 2.23	1.91 / 2.23	1.91 / 2.23	1.91 / 2.23	2.17 / 2.54	2.17 / 2.54
22 + 22 + 22 + 22 + 25 + 35	1.78 / 2.08	1.78 / 2.08	1.78 / 2.08	1.78 / 2.08	2.03 / 2.36	2.84 / 3.31
22 + 22 + 22 + 22 + 25 + 50	1.62 / 1.89	1.62 / 1.89	1.62 / 1.89	1.62 / 1.89	1.84 / 2.15	3.68 / 4.29
22 + 22 + 22 + 22 + 25 + 60	1.53 / 1.78	1.53 / 1.78	1.53 / 1.78	1.53 / 1.78	1.73 / 2.02	4.16 / 4.86
22 + 22 + 22 + 22 + 35 + 35	1.67 / 1.95	1.67 / 1.95	1.67 / 1.95	1.67 / 1.95	2.66 / 3.10	2.66 / 3.10
22 + 22 + 22 + 22 + 35 + 50	1.53 / 1.78	1.53 / 1.78	1.53 / 1.78	1.53 / 1.78	2.43 / 2.83	3.47 / 4.05
22 + 22 + 22 + 25 + 25 + 25	1.87 / 2.18	1.87 / 2.18	1.87 / 2.18	2.13 / 2.48	2.13 / 2.48	2.13 / 2.48
22 + 22 + 22 + 25 + 25 + 35	1.75 / 2.04	1.75 / 2.04	1.75 / 2.04	1.99 / 2.32	1.99 / 2.32	2.78 / 3.25
22 + 22 + 22 + 25 + 25 + 50	1.59 / 1.86	1.59 / 1.86	1.59 / 1.86	1.81 / 2.11	1.81 / 2.11	3.61 / 4.22
22 + 22 + 22 + 25 + 25 + 60	1.50 / 1.75	1.50 / 1.75	1.50 / 1.75	1.70 / 1.99	1.70 / 1.99	4.09 / 4.77
22 + 22 + 22 + 25 + 35 + 35	1.64 / 1.91	1.64 / 1.91	1.64 / 1.91	1.86 / 2.17	2.61 / 3.04	2.61 / 3.04
22 + 22 + 22 + 25 + 35 + 50	1.50 / 1.75	1.50 / 1.75	1.50 / 1.75	1.70 / 1.99	2.39 / 2.78	3.41 / 3.98
22 + 22 + 22 + 35 + 35 + 35	1.54 / 1.80	1.54 / 1.80	1.54 / 1.80	2.46 / 2.87	2.46 / 2.87	2.46 / 2.87
22 + 22 + 25 + 25 + 25 + 25	1.83 / 2.14	1.83 / 2.14	2.08 / 2.43	2.08 / 2.43	2.08 / 2.43	2.08 / 2.43
22 + 22 + 25 + 25 + 25 + 35	1.71 / 2.00	1.71 / 2.00	1.95 / 2.27	1.95 / 2.27	1.95 / 2.27	2.73 / 3.18
22 + 22 + 25 + 25 + 25 + 50	1.56 / 1.82	1.56 / 1.82	1.78 / 2.07	1.78 / 2.07	1.78 / 2.07	3.55 / 4.14
22 + 22 + 25 + 25 + 25 + 60	1.47 / 1.72	1.47 / 1.72	1.68 / 1.96	1.68 / 1.96	1.68 / 1.96	4.02 / 4.69
22 + 22 + 25 + 25 + 35 + 35	1.61 / 1.88	1.61 / 1.88	1.83 / 2.13	1.83 / 2.13	2.56 / 2.99	2.56 / 2.99
22 + 22 + 25 + 25 + 35 + 50	1.47 / 1.72	1.47 / 1.72	1.68 / 1.96	1.68 / 1.96	2.35 / 2.74	3.35 / 3.91
22 + 22 + 25 + 35 + 35 + 35	1.52 / 1.77	1.52 / 1.77	1.72 / 2.01	2.41 / 2.82	2.41 / 2.82	2.41 / 2.82
22 + 25 + 25 + 25 + 25 + 25	1.80 / 2.10	2.04 / 2.38	2.04 / 2.38	2.04 / 2.38	2.04 / 2.38	2.04 / 2.38
22 + 25 + 25 + 25 + 25 + 35	1.68 / 1.96	1.91 / 2.23	1.91 / 2.23	1.91 / 2.23	1.91 / 2.23	2.68 / 3.12
22 + 25 + 25 + 25 + 25 + 50	1.53 / 1.79	1.74 / 2.03	1.74 / 2.03	1.74 / 2.03	1.74 / 2.03	3.49 / 4.07
22 + 25 + 25 + 25 + 35 + 35	1.58 / 1.84	1.80 / 2.10	1.80 / 2.10	1.80 / 2.10	2.51 / 2.93	2.51 / 2.93
22 + 25 + 25 + 35 + 35 + 35	1.49 / 1.74	1.69 / 1.98	1.69 / 1.98	2.37 / 2.77	2.37 / 2.77	2.37 / 2.77
25 + 25 + 25 + 25 + 25 + 25	2.00 / 2.33	2.00 / 2.33	2.00 / 2.33	2.00 / 2.33	2.00 / 2.33	2.00 / 2.33
25 + 25 + 25 + 25 + 25 + 35	1.88 / 2.19	1.88 / 2.19	1.88 / 2.19	1.88 / 2.19	1.88 / 2.19	2.63 / 3.06
25 + 25 + 25 + 25 + 25 + 50	1.71 / 2.00	1.71 / 2.00	1.71 / 2.00	1.71 / 2.00	1.71 / 2.00	3.43 / 4.00
25 + 25 + 25 + 25 + 35 + 35	1.76 / 2.06	1.76 / 2.06	1.76 / 2.06	1.76 / 2.06	2.47 / 2.88	2.47 / 2.88
25 + 25 + 25 + 35 + 35 + 35	1.67 / 1.94	1.67 / 1.94	1.67 / 1.94	2.33 / 2.72	2.33 / 2.72	2.33 / 2.72

MXZ-8B | 40VA

1 Outdoor Unit Up to 8 Indoor Units

Indoor unit combination	Cooling / Heating Capacity (kW)			
	Unit A	Unit B	Unit C	Unit D
1 ROOM				
22	2.20 / 3.30			
25	2.50 / 3.60			
35	3.50 / 4.00			
50	5.00 / 7.20			
60	6.00 / 7.90			
71	7.10 / 8.60			
100	10.00 / 11.20			
2 ROOMS				
22 + 22	2.20 / 2.50	2.20 / 2.50		
22 + 25	2.20 / 2.53	2.50 / 2.87		
22 + 35	2.20 / 2.51	3.50 / 3.99		
22 + 50	2.20 / 2.51	5.00 / 5.69		
22 + 60	2.20 / 2.52	6.00 / 6.88		
22 + 71	2.20 / 2.51	7.10 / 8.09		
22 + 100	2.20 / 2.51	10.00 / 11.39		
25 + 25	2.50 / 2.85	2.50 / 2.85		
25 + 35	2.50 / 2.88	3.50 / 4.03		
25 + 50	2.50 / 2.87	5.00 / 5.73		
25 + 60	2.50 / 2.85	6.00 / 6.85		
25 + 71	2.50 / 2.86	7.10 / 8.14		
25 + 100	2.50 / 2.86	10.00 / 11.44		
35 + 35	3.50 / 4.00	3.50 / 4.00		
35 + 50	3.50 / 3.99	5.00 / 5.71		
35 + 60	3.50 / 4.02	6.00 / 6.88		
35 + 71	3.50 / 4.00	7.10 / 8.10		
35 + 100	3.50 / 3.99	10.00 / 11.41		
50 + 50	5.00 / 5.70	5.00 / 5.70		
50 + 60	5.00 / 5.73	6.00 / 6.87		
50 + 71	5.00 / 5.70	7.10 / 8.10		
60 + 60	6.00 / 6.85	6.00 / 6.85		
60 + 71	6.00 / 6.87	7.10 / 8.13		
60 + 100	5.25 / 6.00	8.75 / 10.00		
71 + 71	7.00 / 8.00	7.00 / 8.00		
71 + 100	5.81 / 6.64	8.19 / 9.36		
3 ROOMS				
22 + 22 + 22	2.20 / 2.50	2.20 / 2.50	2.20 / 2.50	
22 + 22 + 25	2.20 / 2.52	2.20 / 2.52	2.50 / 2.86	
22 + 22 + 35	2.20 / 2.51	2.20 / 2.51	3.50 / 3.99	
22 + 22 + 50	2.20 / 2.50	2.20 / 2.50	5.00 / 5.69	
22 + 22 + 60	2.20 / 2.52	2.20 / 2.52	6.00 / 6.87	
22 + 22 + 71	2.20 / 2.51	2.20 / 2.51	7.10 / 8.09	
22 + 22 + 100	2.14 / 2.44	2.14 / 2.44	9.72 / 11.11	
22 + 25 + 25	2.20 / 2.51	2.50 / 2.85	2.50 / 2.85	
22 + 25 + 35	2.20 / 2.52	2.50 / 2.87	3.50 / 4.01	

Indoor unit combination	Cooling / Heating Capacity (kW)			
	Unit A	Unit B	Unit C	Unit D
22 + 25 + 50	2.20 / 2.52	2.50 / 2.86	5.00 / 5.72	
22 + 25 + 60	2.20 / 2.51	2.50 / 2.85	6.00 / 6.84	
22 + 25 + 71	2.20 / 2.52	2.50 / 2.86	7.10 / 8.12	
22 + 25 + 100	2.10 / 2.39	2.38 / 2.72	9.52 / 10.88	
22 + 35 + 35	2.20 / 2.51	3.50 / 3.99	3.50 / 3.99	
22 + 35 + 50	2.20 / 2.51	3.50 / 3.99	5.00 / 5.70	
22 + 35 + 60	2.20 / 2.52	3.50 / 4.01	6.00 / 6.87	
22 + 35 + 71	2.20 / 2.51	3.50 / 3.99	7.10 / 8.10	
22 + 35 + 100	1.96 / 2.24	3.12 / 3.57	8.92 / 10.19	
22 + 50 + 50	2.20 / 2.51	5.00 / 5.70	5.00 / 5.70	
22 + 50 + 60	2.20 / 2.52	5.00 / 5.72	6.00 / 6.86	
22 + 50 + 71	2.15 / 2.46	4.90 / 5.59	6.95 / 7.94	
22 + 50 + 100	1.79 / 2.05	4.07 / 4.65	8.14 / 9.30	
22 + 60 + 60	2.17 / 2.48	5.92 / 6.76	5.92 / 6.76	
22 + 60 + 71	2.01 / 2.30	5.49 / 6.27	6.50 / 7.42	
22 + 60 + 100	1.69 / 1.93	4.62 / 5.27	7.69 / 8.79	
22 + 71 + 71	1.88 / 2.15	6.06 / 6.93	6.06 / 6.93	
25 + 25 + 25	2.50 / 2.87	2.50 / 2.87	2.50 / 2.87	
25 + 25 + 35	2.50 / 2.85	2.50 / 2.85	3.50 / 3.99	
25 + 25 + 50	2.50 / 2.85	2.50 / 2.85	5.00 / 5.70	
25 + 25 + 60	2.50 / 2.86	2.50 / 2.86	6.00 / 6.87	
25 + 25 + 71	2.50 / 2.85	2.50 / 2.85	7.10 / 8.10	
25 + 25 + 100	2.33 / 2.67	2.33 / 2.67	9.33 / 10.67	
25 + 35 + 35	2.50 / 2.87	3.50 / 4.02	3.50 / 4.02	
25 + 35 + 50	2.50 / 2.86	3.50 / 4.01	5.00 / 5.73	
25 + 35 + 60	2.50 / 2.85	3.50 / 4.00	6.00 / 6.85	
25 + 35 + 71	2.50 / 2.86	3.50 / 4.01	7.10 / 8.13	
25 + 35 + 100	2.19 / 2.50	3.06 / 3.50	8.75 / 10.00	
25 + 50 + 50	2.50 / 2.86	5.00 / 5.72	5.00 / 5.72	
25 + 50 + 60	2.50 / 2.85	5.00 / 5.70	6.00 / 6.84	
25 + 50 + 71	2.40 / 2.74	4.79 / 5.48	6.81 / 7.78	
25 + 50 + 100	2.00 / 2.29	4.00 / 4.57	8.00 / 9.14	
25 + 60 + 60	2.41 / 2.76	5.79 / 6.62	5.79 / 6.62	
25 + 60 + 71	2.24 / 2.56	5.38 / 6.15	6.37 / 7.28	
25 + 60 + 100	1.89 / 2.16	4.54 / 5.19	7.57 / 8.65	
25 + 71 + 71	2.10 / 2.40	5.95 / 6.80	5.95 / 6.80	
35 + 35 + 35	3.50 / 4.00	3.50 / 4.00	3.50 / 4.00	
35 + 35 + 50	3.50 / 4.00	3.50 / 4.00	5.00 / 5.71	
35 + 35 + 60	3.50 / 4.01	3.50 / 4.01	6.00 / 6.88	
35 + 35 + 71	3.48 / 3.97	3.48 / 3.97	7.05 / 8.06	
35 + 35 + 100	2.88 / 3.29	2.88 / 3.29	8.24 / 9.41	
35 + 50 + 50	3.50 / 3.99	5.00 / 5.70	5.00 / 5.70	
35 + 50 + 60	3.38 / 3.86	4.83 / 5.52	5.79 / 6.62	
35 + 50 + 71	3.14 / 3.59	4.49 / 5.13	6.37 / 7.28	
35 + 50 + 100	2.65 / 3.03	3.78 / 4.32	7.57 / 8.65	
35 + 60 + 60	3.16 / 3.61	5.42 / 6.19	5.42 / 6.19	
35 + 60 + 71	2.95 / 3.37	5.06 / 5.78	5.99 / 6.84	
35 + 71 + 71	2.77 / 3.16	5.62 / 6.42	5.62 / 6.42	
50 + 50 + 50	4.67 / 5.33	4.67 / 5.33	4.67 / 5.33	
50 + 50 + 60	4.38 / 5.00	4.38 / 5.00	5.25 / 6.00	
50 + 50 + 71	4.09 / 4.68	4.09 / 4.68	5.81 / 6.64	
50 + 60 + 60	4.12 / 4.71	4.94 / 5.65	4.94 / 5.65	
50 + 60 + 71	3.87 / 4.42	4.64 / 5.30	5.49 / 6.28	
60 + 60 + 60	4.67 / 5.33	4.67 / 5.33	4.67 / 5.33	

Indoor unit combination	Cooling / Heating Capacity (kW)			
	Unit A	Unit B	Unit C	Unit D
4 ROOMS				
22 + 22 + 22 + 22	2.20 / 2.53	2.20 / 2.53	2.20 / 2.53	2.20 / 2.53
22 + 22 + 22 + 25	2.20 / 2.51	2.20 / 2.51	2.20 / 2.51	2.50 / 2.86
22 + 22 + 22 + 35	2.20 / 2.50	2.20 / 2.50	2.20 / 2.50	3.50 / 3.99
22 + 22 + 22 + 50	2.20 / 2.52	2.20 / 2.52	2.20 / 2.52	5.00 / 5.73
22 + 22 + 22 + 60	2.20 / 2.51	2.20 / 2.51	2.20 / 2.51	6.00 / 6.86
22 + 22 + 22 + 71	2.20 / 2.52	2.20 / 2.52	2.20 / 2.52	7.10 / 8.14
22 + 22 + 22 + 100	1.86 / 2.12	1.86 / 2.12	1.86 / 2.12	8.43 / 9.64
22 + 22 + 25 + 25	2.20 / 2.50	2.20 / 2.50	2.50 / 2.85	2.50 / 2.85
22 + 22 + 25 + 35	2.20 / 2.52	2.20 / 2.52	2.50 / 2.86	3.50 / 4.00
22 + 22 + 25 + 50	2.20 / 2.51	2.20 / 2.51	2.50 / 2.86	5.00 / 5.71
22 + 22 + 25 + 60	2.20 / 2.51	2.20 / 2.51	2.50 / 2.85	6.00 / 6.84
22 + 22 + 25 + 71	2.20 / 2.51	2.20 / 2.51	2.50 / 2.86	7.10 / 8.11
22 + 22 + 25 + 100	1.82 / 2.08	1.82 / 2.08	2.07 / 2.37	8.28 / 9.47
22 + 22 + 35 + 35	2.20 / 2.51	2.20 / 2.51	3.50 / 3.99	3.50 / 3.99
22 + 22 + 35 + 50	2.20 / 2.51	2.20 / 2.51	3.50 / 3.99	5.00 / 5.70
22 + 22 + 35 + 60	2.20 / 2.52	2.20 / 2.52	3.50 / 4.00	6.00 / 6.86
22 + 22 + 35 + 71	2.05 / 2.35	2.05 / 2.35	3.27 / 3.73	6.63 / 7.57
22 + 22 + 35 + 100	1.72 / 1.97	1.72 / 1.97	2.74 / 3.13	7.82 / 8.94
22 + 22 + 50 + 50	2.14 / 2.44	2.14 / 2.44	4.86 / 5.56	4.86 / 5.56
22 + 22 + 50 + 60	2.00 / 2.29	2.00 / 2.29	4.55 / 5.19	5.45 / 6.23
22 + 22 + 50 + 71	1.87 / 2.13	1.87 / 2.13	4.24 / 4.85	6.02 / 6.88
22 + 22 + 60 + 60	1.88 / 2.15	1.88 / 2.15	5.12 / 5.85	5.12 / 5.85
22 + 22 + 60 + 71	1.76 / 2.01	1.76 / 2.01	4.80 / 5.49	5.68 / 6.49
22 + 25 + 25 + 25	2.20 / 2.52	2.50 / 2.86	2.50 / 2.86	2.50 / 2.86
22 + 25 + 25 + 35	2.20 / 2.51	2.50 / 2.85	2.50 / 2.85	3.50 / 3.99
22 + 25 + 25 + 50	2.20 / 2.51	2.50 / 2.85	2.50 / 2.85	5.00 / 5.70
22 + 25 + 25 + 60	2.20 / 2.52	2.50 / 2.86	2.50 / 2.86	6.00 / 6.86
22 + 25 + 25 + 71	2.15 / 2.46	2.45 / 2.80	2.45 / 2.80	6.95 / 7.94
22 + 25 + 25 + 100	1.79 / 2.05	2.03 / 2.33	2.03 / 2.33	8.14 / 9.30
22 + 25 + 35 + 35	2.20 / 2.52	2.50 / 2.86	3.50 / 4.01	3.50 / 4.01
22 + 25 + 35 + 50	2.20 / 2.52	2.50 / 2.86	3.50 / 4.00	5.00 / 5.72
22 + 25 + 35 + 60	2.17 / 2.48	2.46 / 2.82	3.45 / 3.94	5.92 / 6.76
22 + 25 + 35 + 71	2.01 / 2.30	2.29 / 2.61	3.20 / 3.66	6.50 / 7.42
22 + 25 + 35 + 100	1.69 / 1.93	1.92 / 2.20	2.69 / 3.08	7.69 / 8.79
22 + 25 + 50 + 50	2.10 / 2.39	2.38 / 2.72	4.76 / 5.44	4.76 / 5.44
22 + 25 + 50 + 60	1.96 / 2.24	2.23 / 2.55	4.46 / 5.10	5.35 / 6.11
22 + 25 + 50 + 71	1.83 / 2.10	2.08 / 2.38	4.17 / 4.76	5.92 / 6.76
22 + 25 + 60 + 60	1.84 / 2.10	2.10 / 2.40	5.03 / 5.75	5.03 / 5.75
22 + 25 + 60 + 71	1.73 / 1.98	1.97 / 2.25	4.72 / 5.39	5.58 / 6.38
22 + 35 + 35 + 35	2.20 / 2.51	3.50 / 4.00	3.50 / 4.00	3.50 / 4.00
22 + 35 + 35 + 50	2.17 / 2.48	3.45 / 3.94	3.45 / 3.94	4.93 / 5.63

Indoor unit combination	Cooling / Heating Capacity (kW)			
	Unit A	Unit B	Unit C	Unit D
22 + 35 + 35 + 60	2.03 / 2.32	3.22 / 3.68	3.22 / 3.68	5.53 / 6.32
22 + 35 + 35 + 71	1.89 / 2.16	3.01 / 3.44	3.01 / 3.44	6.10 / 6.97
22 + 35 + 50 + 50	1.96 / 2.24	3.12 / 3.57	4.46 / 5.10	4.46 / 5.10
22 + 35 + 50 + 60	1.84 / 2.11	2.93 / 3.35	4.19 / 4.79	5.03 / 5.75
22 + 35 + 50 + 71	1.73 / 1.98	2.75 / 3.15	3.93 / 4.49	5.58 / 6.38
22 + 35 + 60 + 60	1.74 / 1.99	2.77 / 3.16	4.75 / 5.42	4.75 / 5.42
22 + 50 + 50 + 50	1.79 / 2.05	4.07 / 4.65	4.07 / 4.65	4.07 / 4.65
22 + 50 + 50 + 60	1.69 / 1.93	3.85 / 4.40	3.85 / 4.40	4.62 / 5.27
25 + 25 + 25 + 25	2.50 / 2.85	2.50 / 2.85	2.50 / 2.85	2.50 / 2.85
25 + 25 + 25 + 35	2.50 / 2.86	2.50 / 2.86	2.50 / 2.86	3.50 / 4.01
25 + 25 + 25 + 50	2.50 / 2.86	2.50 / 2.86	2.50 / 2.86	5.00 / 5.72
25 + 25 + 25 + 60	2.50 / 2.85	2.50 / 2.85	2.50 / 2.85	6.00 / 6.84
25 + 25 + 25 + 71	2.40 / 2.74	2.40 / 2.74	2.40 / 2.74	6.81 / 7.78
25 + 25 + 25 + 100	2.00 / 2.29	2.00 / 2.29	2.00 / 2.29	8.00 / 9.14
25 + 25 + 35 + 35	2.50 / 2.85	2.50 / 2.85	3.50 / 4.00	3.50 / 4.00
25 + 25 + 35 + 50	2.50 / 2.85	2.50 / 2.85	3.50 / 3.99	5.00 / 5.70
25 + 25 + 35 + 60	2.41 / 2.76	2.41 / 2.76	3.38 / 3.86	5.79 / 6.62
25 + 25 + 35 + 71	2.24 / 2.56	2.24 / 2.56	3.14 / 3.59	6.37 / 7.28
25 + 25 + 35 + 100	1.89 / 2.16	1.89 / 2.16	2.65 / 3.03	7.57 / 8.65
25 + 25 + 50 + 50	2.33 / 2.67	2.33 / 2.67	4.67 / 5.33	4.67 / 5.33
25 + 25 + 50 + 60	2.19 / 2.50	2.19 / 2.50	4.38 / 5.00	5.25 / 6.00
25 + 25 + 50 + 71	2.05 / 2.34	2.05 / 2.34	4.09 / 4.68	5.81 / 6.64
25 + 25 + 60 + 60	2.06 / 2.35	2.06 / 2.35	4.94 / 5.65	4.94 / 5.65
25 + 25 + 60 + 71	1.93 / 2.21	1.93 / 2.21	4.64 / 5.30	5.49 / 6.28
25 + 35 + 35 + 35	2.50 / 2.87	3.50 / 4.01	3.50 / 4.01	3.50 / 4.01
25 + 35 + 35 + 50	2.41 / 2.76	3.38 / 3.86	3.38 / 3.86	4.83 / 5.52
25 + 35 + 35 + 60	2.26 / 2.58	3.16 / 3.61	3.16 / 3.61	5.42 / 6.19
25 + 35 + 35 + 71	2.11 / 2.41	2.95 / 3.37	2.95 / 3.37	5.99 / 6.84
25 + 35 + 50 + 50	2.19 / 2.50	3.06 / 3.50	4.38 / 5.00	4.38 / 5.00
25 + 35 + 50 + 60	2.06 / 2.35	2.88 / 3.29	4.12 / 4.71	4.94 / 5.65
25 + 35 + 50 + 71	1.93 / 2.21	2.71 / 3.09	3.87 / 4.42	5.49 / 6.28
25 + 35 + 60 + 60	1.94 / 2.22	2.72 / 3.11	4.67 / 5.33	4.67 / 5.33
25 + 50 + 50 + 50	2.00 / 2.29	4.00 / 4.57	4.00 / 4.57	4.00 / 4.57
25 + 50 + 50 + 60	1.89 / 2.16	3.78 / 4.32	3.78 / 4.32	4.54 / 5.19
35 + 35 + 35 + 35	3.50 / 4.00	3.50 / 4.00	3.50 / 4.00	3.50 / 4.00
35 + 35 + 35 + 50	3.16 / 3.61	3.16 / 3.61	3.16 / 3.61	4.52 / 5.16
35 + 35 + 35 + 60	2.97 / 3.39	2.97 / 3.39	2.97 / 3.39	5.09 / 5.82
35 + 35 + 35 + 71	2.78 / 3.18	2.78 / 3.18	2.78 / 3.18	5.65 / 6.45
35 + 35 + 50 + 50	2.88 / 3.29	2.88 / 3.29	4.12 / 4.71	4.12 / 4.71
35 + 35 + 50 + 60	2.72 / 3.11	2.72 / 3.11	3.89 / 4.44	4.67 / 5.33
35 + 50 + 50 + 50	2.65 / 3.03	3.78 / 4.32	3.78 / 4.32	3.78 / 4.32

Indoor unit combination	Cooling / Heating Capacity (kW)							
	Unit A	Unit B	Unit C	Unit D	Unit E	Unit F	Unit G	Unit H
5 ROOMS								
22 + 22 + 22 + 22 + 22	2.20 / 2.52	2.20 / 2.52	2.20 / 2.52	2.20 / 2.52	2.20 / 2.52			
22 + 22 + 22 + 22 + 25	2.20 / 2.51	2.20 / 2.51	2.20 / 2.51	2.20 / 2.51	2.50 / 2.85			
22 + 22 + 22 + 22 + 35	2.20 / 2.52	2.20 / 2.52	2.20 / 2.52	2.20 / 2.52	3.50 / 4.01			
22 + 22 + 22 + 22 + 50	2.20 / 2.52	2.20 / 2.52	2.20 / 2.52	2.20 / 2.52	5.00 / 5.72			
22 + 22 + 22 + 22 + 60	2.08 / 2.38	2.08 / 2.38	2.08 / 2.38	2.08 / 2.38	5.68 / 6.49			
22 + 22 + 22 + 22 + 71	1.94 / 2.21	1.94 / 2.21	1.94 / 2.21	1.94 / 2.21	6.25 / 7.14			
22 + 22 + 22 + 25 + 25	2.20 / 2.52	2.20 / 2.52	2.20 / 2.52	2.50 / 2.87	2.50 / 2.87			
22 + 22 + 22 + 25 + 35	2.20 / 2.51	2.20 / 2.51	2.20 / 2.51	2.50 / 2.86	3.50 / 4.00			
22 + 22 + 22 + 25 + 50	2.18 / 2.50	2.18 / 2.50	2.18 / 2.50	2.48 / 2.84	4.96 / 5.67			
22 + 22 + 22 + 25 + 60	2.04 / 2.33	2.04 / 2.33	2.04 / 2.33	2.32 / 2.65	5.56 / 6.36			
22 + 22 + 22 + 25 + 71	1.90 / 2.17	1.90 / 2.17	1.90 / 2.17	2.16 / 2.47	6.14 / 7.01			
22 + 22 + 22 + 35 + 35	2.20 / 2.51	2.20 / 2.51	2.20 / 2.51	3.50 / 3.99	3.50 / 3.99			
22 + 22 + 22 + 35 + 50	2.04 / 2.33	2.04 / 2.33	2.04 / 2.33	3.25 / 3.71	4.64 / 5.30			
22 + 22 + 22 + 35 + 60	1.91 / 2.19	1.91 / 2.19	1.91 / 2.19	3.04 / 3.48	5.22 / 5.96			
22 + 22 + 22 + 35 + 71	1.79 / 2.05	1.79 / 2.05	1.79 / 2.05	2.85 / 3.26	5.78 / 6.60			
22 + 22 + 22 + 50 + 50	1.86 / 2.12	1.86 / 2.12	1.86 / 2.12	4.22 / 4.82	4.22 / 4.82			
22 + 22 + 22 + 50 + 60	1.75 / 2.00	1.75 / 2.00	1.75 / 2.00	3.98 / 4.55	4.77 / 5.45			
22 + 22 + 25 + 25 + 25	2.20 / 2.51	2.20 / 2.51	2.50 / 2.86	2.50 / 2.86	2.50 / 2.86			
22 + 22 + 25 + 25 + 35	2.20 / 2.51	2.20 / 2.51	2.50 / 2.85	2.50 / 2.85	3.50 / 3.99			
22 + 22 + 25 + 25 + 50	2.14 / 2.44	2.14 / 2.44	2.43 / 2.78	2.43 / 2.78	4.86 / 5.56			
22 + 22 + 25 + 25 + 60	2.00 / 2.29	2.00 / 2.29	2.27 / 2.60	2.27 / 2.60	5.45 / 6.23			
22 + 22 + 25 + 25 + 71	1.87 / 2.13	1.87 / 2.13	2.12 / 2.42	2.12 / 2.42	6.02 / 6.88			
22 + 22 + 25 + 35 + 35	2.20 / 2.52	2.20 / 2.52	2.50 / 2.86	3.50 / 4.00	3.50 / 4.00			
22 + 22 + 25 + 35 + 50	2.00 / 2.29	2.00 / 2.29	2.27 / 2.60	3.18 / 3.64	4.55 / 5.19			
22 + 22 + 25 + 35 + 60	1.88 / 2.15	1.88 / 2.15	2.13 / 2.44	2.99 / 3.41	5.12 / 5.85			
22 + 22 + 25 + 35 + 71	1.76 / 2.01	1.76 / 2.01	2.00 / 2.29	2.80 / 3.20	5.68 / 6.49			
22 + 22 + 25 + 50 + 50	1.82 / 2.08	1.82 / 2.08	2.07 / 2.37	4.14 / 4.73	4.14 / 4.73			
22 + 22 + 25 + 50 + 60	1.72 / 1.97	1.72 / 1.97	1.96 / 2.23	3.91 / 4.47	4.69 / 5.36			
22 + 22 + 35 + 35 + 35	2.07 / 2.36	2.07 / 2.36	3.29 / 3.76	3.29 / 3.76	3.29 / 3.76			
22 + 22 + 35 + 35 + 50	1.88 / 2.15	1.88 / 2.15	2.99 / 3.41	2.99 / 3.41	4.27 / 4.88			
22 + 22 + 35 + 35 + 60	1.77 / 2.02	1.77 / 2.02	2.82 / 3.22	2.82 / 3.22	4.83 / 5.52			
22 + 22 + 35 + 35 + 71	1.66 / 1.90	1.66 / 1.90	2.65 / 3.03	2.65 / 3.03	5.37 / 6.14			
22 + 22 + 35 + 50 + 50	1.72 / 1.97	1.72 / 1.97	2.74 / 3.13	3.91 / 4.47	3.91 / 4.47			
22 + 25 + 25 + 25 + 25	2.20 / 2.51	2.50 / 2.85	2.50 / 2.85	2.50 / 2.85	2.50 / 2.85			
22 + 25 + 25 + 25 + 35	2.20 / 2.52	2.50 / 2.86	2.50 / 2.86	2.50 / 2.86	3.50 / 4.00			

Indoor unit combination	Cooling / Heating Capacity (kW)							
	Unit A	Unit B	Unit C	Unit D	Unit E	Unit F	Unit G	Unit H
25 + 25 + 25 + 25 + 25	2.50 / 2.86	2.50 / 2.86	2.50 / 2.86	2.50 / 2.86	2.50 / 2.86			
25 + 25 + 25 + 25 + 35	2.50 / 2.85	2.50 / 2.85	2.50 / 2.85	2.50 / 2.85	3.50 / 3.99			
25 + 25 + 25 + 25 + 50	2.33 / 2.67	2.33 / 2.67	2.33 / 2.67	2.33 / 2.67	4.67 / 5.33			
25 + 25 + 25 + 25 + 60	2.19 / 2.50	2.19 / 2.50	2.19 / 2.50	2.19 / 2.50	5.25 / 6.00			
25 + 25 + 25 + 25 + 71	2.05 / 2.34	2.05 / 2.34	2.05 / 2.34	2.05 / 2.34	5.81 / 6.64			
25 + 25 + 25 + 35 + 35	2.41 / 2.76	2.41 / 2.76	2.41 / 2.76	3.38 / 3.86	3.38 / 3.86			
25 + 25 + 25 + 35 + 50	2.19 / 2.50	2.19 / 2.50	2.19 / 2.50	3.06 / 3.50	4.38 / 5.00			
25 + 25 + 25 + 35 + 60	2.06 / 2.35	2.06 / 2.35	2.06 / 2.35	2.88 / 3.29	4.94 / 5.65			
25 + 25 + 25 + 35 + 71	1.93 / 2.21	1.93 / 2.21	1.93 / 2.21	2.71 / 3.09	5.49 / 6.28			
25 + 25 + 25 + 50 + 50	2.00 / 2.29	2.00 / 2.29	2.00 / 2.29	4.00 / 4.57	4.00 / 4.57			
25 + 25 + 25 + 50 + 60	1.89 / 2.16	1.89 / 2.16	1.89 / 2.16	3.78 / 4.32	4.54 / 5.19			
25 + 25 + 35 + 35 + 35	2.26 / 2.58	2.26 / 2.58	3.16 / 3.61	3.16 / 3.61	3.16 / 3.61			
25 + 25 + 35 + 35 + 50	2.06 / 2.35	2.06 / 2.35	2.88 / 3.29	2.88 / 3.29	4.12 / 4.71			
25 + 25 + 35 + 35 + 60	1.94 / 2.22	1.94 / 2.22	2.72 / 3.11	2.72 / 3.11	4.67 / 5.33			
25 + 25 + 35 + 50 + 50	1.89 / 2.16	1.89 / 2.16	2.65 / 3.03	3.78 / 4.32	3.78 / 4.32			
25 + 35 + 35 + 35 + 35	2.12 / 2.42	2.97 / 3.39	2.97 / 3.39	2.97 / 3.39	2.97 / 3.39			
25 + 35 + 35 + 35 + 50	1.94 / 2.22	2.72 / 3.11	2.72 / 3.11	2.72 / 3.11	3.89 / 4.44			
35 + 35 + 35 + 35 + 35	2.80 / 3.20	2.80 / 3.20	2.80 / 3.20	2.80 / 3.20	2.80 / 3.20			
6 ROOMS								
22 + 22 + 22 + 22 + 22 + 22	2.20 / 2.52	2.20 / 2.52	2.20 / 2.52	2.20 / 2.52	2.20 / 2.52	2.20 / 2.52		
22 + 22 + 22 + 22 + 22 + 25	2.20 / 2.51	2.20 / 2.51	2.20 / 2.51	2.20 / 2.51	2.20 / 2.51	2.50 / 2.85		
22 + 22 + 22 + 22 + 22 + 35	2.12 / 2.43	2.12 / 2.43	2.12 / 2.43	2.12 / 2.43	2.12 / 2.43	3.38 / 3.86		
22 + 22 + 22 + 22 + 22 + 50	1.93 / 2.20	1.93 / 2.20	1.93 / 2.20	1.93 / 2.20	1.93 / 2.20	4.38 / 5.00		
22 + 22 + 22 + 22 + 22 + 60	1.81 / 2.07	1.81 / 2.07	1.81 / 2.07	1.81 / 2.07	1.81 / 2.07	4.94 / 5.65		
22 + 22 + 22 + 22 + 22 + 71	1.70 / 1.94	1.70 / 1.94	1.70 / 1.94	1.70 / 1.94	1.70 / 1.94	5.49 / 6.28		
22 + 22 + 22 + 22 + 25 + 25	2.20 / 2.52	2.20 / 2.52	2.20 / 2.52	2.20 / 2.52	2.50 / 2.86	2.50 / 2.86		
22 + 22 + 22 + 22 + 25 + 35	2.08 / 2.38	2.08 / 2.38	2.08 / 2.38	2.08 / 2.38	2.36 / 2.70	3.31 / 3.78		
22 + 22 + 22 + 22 + 25 + 50	1.89 / 2.16	1.89 / 2.16	1.89 / 2.16	1.89 / 2.16	2.15 / 2.45	4.29 / 4.91		
22 + 22 + 22 + 22 + 25 + 60	1.78 / 2.03	1.78 / 2.03	1.78 / 2.03	1.78 / 2.03	2.02 / 2.31	4.86 / 5.55		
22 + 22 + 22 + 22 + 25 + 71	1.67 / 1.91	1.67 / 1.91	1.67 / 1.91	1.67 / 1.91	1.90 / 2.17	5.40 / 6.17		
22 + 22 + 22 + 22 + 35 + 35	1.95 / 2.23	1.95 / 2.23	1.95 / 2.23	1.95 / 2.23	3.10 / 3.54	3.10 / 3.54		
22 + 22 + 22 + 22 + 35 + 50	1.78 / 2.03	1.78 / 2.03	1.78 / 2.03	1.78 / 2.03	2.83 / 3.24	4.05 / 4.62		
22 + 22 + 22 + 22 + 35 + 60	1.68 / 1.92	1.68 / 1.92	1.68 / 1.92	1.68 / 1.92	2.68 / 3.06	4.59 / 5.25		
22 + 22 + 22 + 25 + 25 + 25	2.18 / 2.50	2.18 / 2.50	2.18 / 2.50	2.48 / 2.84	2.48 / 2.84	2.48 / 2.84		
22 + 22 + 22 + 25 + 25 + 35	2.04 / 2.33	2.04 / 2.33	2.04 / 2.33	2.32 / 2.65	2.32 / 2.65	3.25 / 3.71		
22 + 22 + 22 + 25 + 25 + 50	1.86 / 2.12	1.86 / 2.12	1.86 / 2.12	2.11 / 2.41	2.11 / 2.41	4.22 / 4.82		
22 + 22 + 22 + 25 + 25 + 60	1.75 / 2.00	1.75 / 2.00	1.75 / 2.00	1.99 / 2.27	1.99 / 2.27	4.77 / 5.45		
22 + 22 + 22 + 25 + 35 + 35	1.91 / 2.19	1.91 / 2.19	1.91 / 2.19	2.17 / 2.48	3.04 / 3.48	3.04 / 3.48		
22 + 22 + 22 + 25 + 35 + 50	1.75 / 2.00	1.75 / 2.00	1.75 / 2.00	1.99 / 2.27	2.78 / 3.18	3.98 / 4.55		
22 + 22 + 22 + 35 + 35 + 35	1.80 / 2.06	1.80 / 2.06	1.80 / 2.06	2.87 / 3.27	2.87 / 3.27	2.87 / 3.27		
22 + 22 + 25 + 25 + 25 + 25	2.14 / 2.44	2.14 / 2.44	2.43 / 2.78	2.43 / 2.78	2.43 / 2.78	2.43 / 2.78		
22 + 22 + 25 + 25 + 25 + 35	2.00 / 2.29	2.00 / 2.29	2.27 / 2.60	2.27 / 2.60	2.27 / 2.60	3.18 / 3.64		
22 + 22 + 25 + 25 + 25 + 50	1.82 / 2.08	1.82 / 2.08	2.07 / 2.37	2.07 / 2.37	2.07 / 2.37	4.14 / 4.73		
22 + 22 + 25 + 25 + 25 + 60	1.72 / 1.97	1.72 / 1.97	1.96 / 2.23	1.96 / 2.23	1.96 / 2.23	4.69 / 5.36		
22 + 22 + 25 + 25 + 35 + 35	1.88 / 2.15	1.88 / 2.15	2.13 / 2.44	2.13 / 2.44	2.99 / 3.41	2.99 / 3.41		
22 + 22 + 25 + 25 + 35 + 50	1.72 / 1.97	1.72 / 1.97	1.96 / 2.23	1.96 / 2.23	2.74 / 3.13	3.91 / 4.47		
22 + 22 + 25 + 35 + 35 + 35	1.70 / 2.02	1.70 / 2.02	2.00 / 2.30	2.82 / 3.22	2.82 / 3.22	2.82 / 3.22		
22 + 22 + 35 + 35 + 35 + 35	1.67 / 1.91	1.67 / 1.91	2.66 / 3.04	2.66 / 3.04	2.66 / 3.04	2.66 / 3.04		
22 + 25 + 25 + 25 + 25 + 25	2.10 / 2.39	2.38 / 2.72	2.38 / 2.72	2.38 / 2.72	2.38 / 2.72	2.38 / 2.72		

Indoor unit combination	Cooling / Heating Capacity (kW)							
	Unit A	Unit B	Unit C	Unit D	Unit E	Unit F	Unit G	Unit H
22 + 25 + 25 + 25 + 25 + 35	1.96 / 2.24	2.23 / 2.55	2.23 / 2.55	2.23 / 2.55	2.23 / 2.55	3.12 / 3.57		
22 + 25 + 25 + 25 + 25 + 50	1.79 / 2.05	2.03 / 2.33	2.03 / 2.33	2.03 / 2.33	2.03 / 2.33	4.07 / 4.65		
22 + 25 + 25 + 25 + 25 + 60	1.69 / 1.93	1.92 / 2.20	1.92 / 2.20	1.92 / 2.20	1.92 / 2.20	4.62 / 5.27		
22 + 25 + 25 + 25 + 35 + 35	1.84 / 2.11	2.10 / 2.40	2.10 / 2.40	2.10 / 2.40	2.93 / 3.35	2.93 / 3.35		
22 + 25 + 25 + 25 + 35 + 50	1.69 / 1.93	1.92 / 2.20	1.92 / 2.20	1.92 / 2.20	2.69 / 3.08	3.85 / 4.40		
22 + 25 + 25 + 35 + 35 + 35	1.74 / 1.99	1.98 / 2.26	1.98 / 2.26	2.77 / 3.16	2.77 / 3.16	2.77 / 3.16		
25 + 25 + 25 + 25 + 25 + 25	2.33 / 2.67	2.33 / 2.67	2.33 / 2.67	2.33 / 2.67	2.33 / 2.67	2.33 / 2.67		
25 + 25 + 25 + 25 + 25 + 35	2.19 / 2.50	2.19 / 2.50	2.19 / 2.50	2.19 / 2.50	2.19 / 2.50	3.06 / 3.50		
25 + 25 + 25 + 25 + 25 + 50	2.00 / 2.29	2.00 / 2.29	2.00 / 2.29	2.00 / 2.29	2.00 / 2.29	4.00 / 4.57		
25 + 25 + 25 + 25 + 25 + 60	1.89 / 2.16	1.89 / 2.16	1.89 / 2.16	1.89 / 2.16	1.89 / 2.16	4.54 / 5.19		
25 + 25 + 25 + 25 + 35 + 35	2.06 / 2.35	2.06 / 2.35	2.06 / 2.35	2.06 / 2.35	2.88 / 3.29	2.88 / 3.29		
25 + 25 + 25 + 25 + 35 + 50	1.89 / 2.16	1.89 / 2.16	1.89 / 2.16	1.89 / 2.16	2.65 / 3.03	3.78 / 4.32		
25 + 25 + 25 + 35 + 35 + 35	1.94 / 2.22	1.94 / 2.22	1.94 / 2.22	2.72 / 3.11	2.72 / 3.11	2.72 / 3.11		
7 ROOMS								
22 + 22 + 22 + 22 + 22 + 22 + 22	2.00 / 2.29	2.00 / 2.29	2.00 / 2.29	2.00 / 2.29	2.00 / 2.29	2.00 / 2.29	2.00 / 2.29	
22 + 22 + 22 + 22 + 22 + 22 + 25	1.96 / 2.24	1.96 / 2.24	1.96 / 2.24	1.96 / 2.24	1.96 / 2.24	1.96 / 2.24	2.23 / 2.55	
22 + 22 + 22 + 22 + 22 + 22 + 35	1.84 / 2.11	1.84 / 2.11	1.84 / 2.11	1.84 / 2.11	1.84 / 2.11	1.84 / 2.11	2.93 / 3.35	
22 + 22 + 22 + 22 + 22 + 22 + 50	1.69 / 1.93	1.69 / 1.93	1.69 / 1.93	1.69 / 1.93	1.69 / 1.93	1.69 / 1.93	3.85 / 4.40	
22 + 22 + 22 + 22 + 22 + 25 + 25	1.93 / 2.20	1.93 / 2.20	1.93 / 2.20	1.93 / 2.20	1.93 / 2.20	2.19 / 2.50	2.19 / 2.50	
22 + 22 + 22 + 22 + 22 + 25 + 35	1.81 / 2.07	1.81 / 2.07	1.81 / 2.07	1.81 / 2.07	1.81 / 2.07	2.06 / 2.35	2.88 / 3.29	
22 + 22 + 22 + 22 + 22 + 25 + 50	1.66 / 1.90	1.66 / 1.90	1.66 / 1.90	1.66 / 1.90	1.66 / 1.90	1.89 / 2.16	3.78 / 4.32	
22 + 22 + 22 + 22 + 22 + 35 + 35	1.71 / 1.96	1.71 / 1.96	1.71 / 1.96	1.71 / 1.96	1.71 / 1.96	2.72 / 3.11	2.72 / 3.11	
22 + 22 + 22 + 22 + 25 + 25 + 25	1.89 / 2.16	1.89 / 2.16	1.89 / 2.16	1.89 / 2.16	2.15 / 2.45	2.15 / 2.45	2.15 / 2.45	
22 + 22 + 22 + 22 + 25 + 25 + 35	1.78 / 2.03	1.78 / 2.03	1.78 / 2.03	1.78 / 2.03	2.02 / 2.31	2.02 / 2.31	2.83 / 3.24	
22 + 22 + 22 + 22 + 25 + 35 + 35	1.68 / 1.92	1.68 / 1.92	1.68 / 1.92	1.68 / 1.92	1.91 / 2.19	2.68 / 3.06	2.68 / 3.06	
22 + 22 + 22 + 25 + 25 + 25 + 25	1.86 / 2.12	1.86 / 2.12	1.86 / 2.12	2.11 / 2.41	2.11 / 2.41	2.11 / 2.41	2.11 / 2.41	
22 + 22 + 22 + 25 + 25 + 25 + 35	1.75 / 2.00	1.75 / 2.00	1.75 / 2.00	1.99 / 2.27	1.99 / 2.27	1.99 / 2.27	2.78 / 3.18	
22 + 22 + 25 + 25 + 25 + 25 + 25	1.82 / 2.08	1.82 / 2.08	2.07 / 2.37	2.07 / 2.37	2.07 / 2.37	2.07 / 2.37	2.07 / 2.37	
22 + 22 + 25 + 25 + 25 + 25 + 35	1.72 / 1.97	1.72 / 1.97	1.96 / 2.23	1.96 / 2.23	1.96 / 2.23	1.96 / 2.23	2.74 / 3.13	
22 + 25 + 25 + 25 + 25 + 25 + 25	1.79 / 2.05	2.03 / 2.33	2.03 / 2.33	2.03 / 2.33	2.03 / 2.33	2.03 / 2.33	2.03 / 2.33	
22 + 25 + 25 + 25 + 25 + 25 + 35	1.69 / 1.93	1.92 / 2.20	1.92 / 2.20	1.92 / 2.20	1.92 / 2.20	1.92 / 2.20	2.69 / 3.08	
25 + 25 + 25 + 25 + 25 + 25 + 25	2.00 / 2.29	2.00 / 2.29	2.00 / 2.29	2.00 / 2.29	2.00 / 2.29	2.00 / 2.29	2.00 / 2.29	
25 + 25 + 25 + 25 + 25 + 25 + 35	1.89 / 2.16	1.89 / 2.16	1.89 / 2.16	1.89 / 2.16	1.89 / 2.16	1.89 / 2.16	2.65 / 3.03	
8 ROOMS								
22 + 22 + 22 + 22 + 22 + 22 + 22 + 22	1.75 / 2.00	1.75 / 2.00	1.75 / 2.00	1.75 / 2.00	1.75 / 2.00	1.75 / 2.00	1.75 / 2.00	1.75 / 2.00
22 + 22 + 22 + 22 + 22 + 22 + 22 + 25	1.72 / 1.97	1.72 / 1.97	1.72 / 1.97	1.72 / 1.97	1.72 / 1.97	1.72 / 1.97	1.72 / 1.97	1.96 / 2.23
22 + 22 + 22 + 22 + 22 + 22 + 25 + 25	1.69 / 1.93	1.69 / 1.93	1.69 / 1.93	1.69 / 1.93	1.69 / 1.93	1.69 / 1.93	1.92 / 2.20	1.92 / 2.20
22 + 22 + 22 + 22 + 22 + 25 + 25 + 25	1.66 / 1.90	1.66 / 1.90	1.66 / 1.90	1.66 / 1.90	1.66 / 1.90	1.89 / 2.16	1.89 / 2.16	1.89 / 2.16

MXZ-8B160YA

1 Outdoor Unit Up to 8 Indoor Units

Indoor unit combination	Cooling / Heating Capacity (kW)			
	Unit A	Unit B	Unit C	Unit D
I ROOM				
22	2.20 / 3.30			
25	2.50 / 3.60			
35	3.50 / 4.00			
50	5.00 / 7.20			
60	6.00 / 7.90			
71	7.10 / 8.60			
100	10.00 / 11.20			
2 ROOMS				
22 + 22	2.20 / 2.55	2.20 / 2.55		
22 + 25	2.20 / 2.57	2.50 / 2.93		
22 + 35	2.20 / 2.55	3.50 / 4.05		
22 + 50	2.20 / 2.57	5.00 / 5.83		
22 + 60	2.20 / 2.55	6.00 / 6.95		
22 + 71	2.20 / 2.55	7.10 / 8.25		
22 + 100	2.20 / 2.56	10.00 / 11.64		
25 + 25	2.50 / 2.90	2.50 / 2.90		
25 + 35	2.50 / 2.92	3.50 / 4.08		
25 + 50	2.50 / 2.90	5.00 / 5.80		
25 + 60	2.50 / 2.91	6.00 / 6.99		
25 + 71	2.50 / 2.89	7.10 / 8.21		
25 + 100	2.50 / 2.90	10.00 / 11.60		
35 + 35	3.50 / 4.05	3.50 / 4.05		
35 + 50	3.50 / 4.08	5.00 / 5.82		
35 + 60	3.50 / 4.05	6.00 / 6.95		
35 + 71	3.50 / 4.06	7.10 / 8.24		
35 + 100	3.50 / 4.07	10.00 / 11.63		
50 + 50	5.00 / 5.80	5.00 / 5.80		
50 + 60	5.00 / 5.82	6.00 / 6.98		
50 + 71	5.00 / 5.83	7.10 / 8.27		
50 + 100	4.67 / 6.00	9.33 / 12.00		
60 + 60	6.00 / 6.95	6.00 / 6.95		
60 + 71	6.00 / 6.96	7.10 / 8.24		
60 + 100	5.25 / 6.75	8.75 / 11.25		
71 + 71	7.00 / 9.00	7.00 / 9.00		
71 + 100	5.81 / 7.47	8.19 / 10.53		
100 + 100	7.00 / 9.00	7.00 / 9.00		
3 ROOMS				
22 + 22 + 22	2.20 / 2.57	2.20 / 2.57	2.20 / 2.57	
22 + 22 + 25	2.20 / 2.55	2.20 / 2.55	2.50 / 2.90	
22 + 22 + 35	2.20 / 2.56	2.20 / 2.56	3.50 / 4.08	
22 + 22 + 50	2.20 / 2.55	2.20 / 2.55	5.00 / 5.80	
22 + 22 + 60	2.20 / 2.56	2.20 / 2.56	6.00 / 6.98	
22 + 22 + 71	2.20 / 2.56	2.20 / 2.56	7.10 / 8.27	
22 + 22 + 100	2.14 / 2.75	2.14 / 2.75	9.72 / 12.50	

Indoor unit combination	Cooling / Heating Capacity (kW)			
	Unit A	Unit B	Unit C	Unit D
22 + 25 + 25	2.20 / 2.57	2.50 / 2.92	2.50 / 2.92	
22 + 25 + 35	2.20 / 2.55	2.50 / 2.90	3.50 / 4.05	
22 + 25 + 50	2.20 / 2.56	2.50 / 2.91	5.00 / 5.82	
22 + 25 + 60	2.20 / 2.55	2.50 / 2.90	6.00 / 6.95	
22 + 25 + 71	2.20 / 2.55	2.50 / 2.90	7.10 / 8.24	
22 + 25 + 100	2.10 / 2.69	2.38 / 3.06	9.52 / 12.24	
22 + 35 + 35	2.20 / 2.56	3.50 / 4.07	3.50 / 4.07	
22 + 35 + 50	2.20 / 2.55	3.50 / 4.06	5.00 / 5.79	
22 + 35 + 60	2.20 / 2.56	3.50 / 4.07	6.00 / 6.97	
22 + 35 + 71	2.20 / 2.56	3.50 / 4.07	7.10 / 8.26	
22 + 35 + 100	1.96 / 2.52	3.12 / 4.01	8.92 / 11.46	
22 + 50 + 50	2.20 / 2.56	5.00 / 5.82	5.00 / 5.82	
22 + 50 + 60	2.20 / 2.55	5.00 / 5.80	6.00 / 6.95	
22 + 50 + 71	2.15 / 2.77	4.90 / 6.29	6.95 / 8.94	
22 + 50 + 100	1.79 / 2.30	4.07 / 5.23	8.14 / 10.47	
22 + 60 + 60	2.17 / 2.79	5.92 / 7.61	5.92 / 7.61	
22 + 60 + 71	2.01 / 2.59	5.49 / 7.06	6.50 / 8.35	
22 + 60 + 100	1.69 / 2.18	4.62 / 5.93	7.69 / 9.89	
22 + 71 + 71	1.88 / 2.41	6.06 / 7.79	6.06 / 7.79	
22 + 71 + 100	1.60 / 2.05	5.15 / 6.62	7.25 / 9.33	
25 + 25 + 25	2.50 / 2.90	2.50 / 2.90	2.50 / 2.90	
25 + 25 + 35	2.50 / 2.91	2.50 / 2.91	3.50 / 4.08	
25 + 25 + 50	2.50 / 2.90	2.50 / 2.90	5.00 / 5.80	
25 + 25 + 60	2.50 / 2.91	2.50 / 2.91	6.00 / 6.98	
25 + 25 + 71	2.50 / 2.91	2.50 / 2.91	7.10 / 8.27	
25 + 25 + 100	2.33 / 3.00	2.33 / 3.00	9.33 / 12.00	
25 + 35 + 35	2.50 / 2.89	3.50 / 4.05	3.50 / 4.05	
25 + 35 + 50	2.50 / 2.91	3.50 / 4.07	5.00 / 5.82	
25 + 35 + 60	2.50 / 2.90	3.50 / 4.05	6.00 / 6.95	
25 + 35 + 71	2.50 / 2.90	3.50 / 4.06	7.10 / 8.24	
25 + 35 + 100	2.19 / 2.81	3.06 / 3.94	8.75 / 11.25	
25 + 50 + 50	2.50 / 2.90	5.00 / 5.80	5.00 / 5.80	
25 + 50 + 60	2.50 / 2.91	5.00 / 5.81	6.00 / 6.98	
25 + 50 + 71	2.40 / 3.08	4.79 / 6.16	6.81 / 8.75	
25 + 50 + 100	2.00 / 2.57	4.00 / 5.14	8.00 / 10.29	
25 + 60 + 60	2.41 / 3.10	5.79 / 7.45	5.79 / 7.45	
25 + 60 + 71	2.24 / 2.88	5.38 / 6.92	6.37 / 8.19	
25 + 60 + 100	1.89 / 2.43	4.54 / 5.84	7.57 / 9.73	
25 + 71 + 71	2.10 / 2.69	5.95 / 7.65	5.95 / 7.65	
25 + 71 + 100	1.79 / 2.30	5.07 / 6.52	7.14 / 9.18	
35 + 35 + 35	3.50 / 4.07	3.50 / 4.07	3.50 / 4.07	
35 + 35 + 50	3.50 / 4.05	3.50 / 4.05	5.00 / 5.79	
35 + 35 + 60	3.50 / 4.07	3.50 / 4.07	6.00 / 6.97	
35 + 35 + 71	3.48 / 4.47	3.48 / 4.47	7.05 / 9.06	
35 + 35 + 100	2.88 / 3.71	2.88 / 3.71	8.24 / 10.59	
35 + 50 + 50	3.50 / 4.07	5.00 / 5.81	5.00 / 5.81	
35 + 50 + 60	3.38 / 4.34	4.83 / 6.21	5.79 / 7.45	
35 + 50 + 71	3.14 / 4.04	4.49 / 5.77	6.37 / 8.19	
35 + 50 + 100	2.65 / 3.41	3.78 / 4.86	7.57 / 9.73	
35 + 60 + 60	3.16 / 4.06	5.42 / 6.97	5.42 / 6.97	

Indoor unit combination	Cooling / Heating Capacity (kW)			
	Unit A	Unit B	Unit C	Unit D
35 + 60 + 71	2.95 / 3.80	5.06 / 6.51	5.99 / 7.70	
35 + 60 + 100	2.51 / 3.23	4.31 / 5.54	7.18 / 9.23	
35 + 71 + 71	2.77 / 3.56	5.62 / 7.22	5.62 / 7.22	
50 + 50 + 50	4.67 / 6.00	4.67 / 6.00	4.67 / 6.00	
50 + 50 + 60	4.38 / 5.63	4.38 / 5.63	5.25 / 6.75	
50 + 50 + 71	4.09 / 5.26	4.09 / 5.26	5.81 / 7.47	
50 + 50 + 100	3.50 / 4.50	3.50 / 4.50	7.00 / 9.00	
50 + 60 + 60	4.12 / 5.29	4.94 / 6.35	4.94 / 6.35	
50 + 60 + 71	3.87 / 4.97	4.64 / 5.97	5.49 / 7.06	
50 + 71 + 71	3.65 / 4.69	5.18 / 6.66	5.18 / 6.66	
60 + 60 + 60	4.67 / 6.00	4.67 / 6.00	4.67 / 6.00	
60 + 60 + 71	4.40 / 5.65	4.40 / 5.65	5.20 / 6.69	
60 + 71 + 71	4.16 / 5.35	4.92 / 6.33	4.92 / 6.33	
4 ROOMS				
22 + 22 + 22 + 22	2.20 / 2.55	2.20 / 2.55	2.20 / 2.55	2.20 / 2.55
22 + 22 + 22 + 25	2.20 / 2.56	2.20 / 2.56	2.20 / 2.56	2.50 / 2.91
22 + 22 + 22 + 35	2.20 / 2.55	2.20 / 2.55	2.20 / 2.55	3.50 / 4.05
22 + 22 + 22 + 50	2.20 / 2.56	2.20 / 2.56	2.20 / 2.56	5.00 / 5.82
22 + 22 + 22 + 60	2.20 / 2.55	2.20 / 2.55	2.20 / 2.55	6.00 / 6.95
22 + 22 + 22 + 71	2.20 / 2.55	2.20 / 2.55	2.20 / 2.55	7.10 / 8.24
22 + 22 + 22 + 100	1.86 / 2.39	1.86 / 2.39	1.86 / 2.39	8.43 / 10.84
22 + 22 + 25 + 25	2.20 / 2.55	2.20 / 2.55	2.50 / 2.90	2.50 / 2.90
22 + 22 + 25 + 50	2.20 / 2.55	2.20 / 2.55	2.50 / 2.90	5.00 / 5.80
22 + 22 + 25 + 60	2.20 / 2.56	2.20 / 2.56	2.50 / 2.91	6.00 / 6.98
22 + 22 + 25 + 71	2.20 / 2.83	2.20 / 2.83	2.50 / 3.21	7.10 / 9.13
22 + 22 + 25 + 100	1.82 / 2.34	1.82 / 2.34	2.07 / 2.66	8.28 / 10.65
22 + 22 + 35 + 35	2.20 / 2.55	2.20 / 2.55	3.50 / 4.05	3.50 / 4.05
22 + 22 + 35 + 50	2.20 / 2.56	2.20 / 2.56	3.50 / 4.07	5.00 / 5.81
22 + 22 + 35 + 60	2.20 / 2.55	2.20 / 2.55	3.50 / 4.05	6.00 / 6.95
22 + 22 + 35 + 71	2.05 / 2.64	2.05 / 2.64	3.27 / 4.20	6.63 / 8.52
22 + 22 + 35 + 100	1.72 / 2.21	1.72 / 2.21	2.74 / 3.52	7.82 / 10.06
22 + 22 + 50 + 50	2.14 / 2.75	2.14 / 2.75	4.86 / 6.25	4.86 / 6.25
22 + 22 + 50 + 60	2.00 / 2.57	2.00 / 2.57	4.55 / 5.84	5.45 / 7.01
22 + 22 + 50 + 71	1.87 / 2.40	1.87 / 2.40	4.24 / 5.45	6.02 / 7.75
22 + 22 + 50 + 100	1.59 / 2.04	1.59 / 2.04	3.61 / 4.64	7.22 / 9.28
22 + 22 + 60 + 60	1.88 / 2.41	1.88 / 2.41	5.12 / 6.59	5.12 / 6.59
22 + 22 + 60 + 71	1.76 / 2.26	1.76 / 2.26	4.80 / 6.17	5.68 / 7.30
22 + 22 + 71 + 71	1.66 / 2.13	1.66 / 2.13	5.34 / 6.87	5.34 / 6.87
22 + 25 + 25 + 25	2.20 / 2.56	2.50 / 2.91	2.50 / 2.91	2.50 / 2.91
22 + 25 + 25 + 35	2.20 / 2.55	2.50 / 2.90	2.50 / 2.90	3.50 / 4.06
22 + 25 + 25 + 50	2.20 / 2.56	2.50 / 2.91	2.50 / 2.91	5.00 / 5.82
22 + 25 + 25 + 60	2.20 / 2.55	2.50 / 2.90	2.50 / 2.90	6.00 / 6.95
22 + 25 + 25 + 71	2.15 / 2.77	2.45 / 3.15	2.45 / 3.15	6.95 / 8.94
22 + 25 + 25 + 100	1.79 / 2.30	2.03 / 2.62	2.03 / 2.62	8.14 / 10.47
22 + 25 + 35 + 35	2.20 / 2.56	2.50 / 2.91	3.50 / 4.07	3.50 / 4.07
22 + 25 + 35 + 50	2.20 / 2.55	2.50 / 2.90	3.50 / 4.06	5.00 / 5.80
22 + 25 + 35 + 60	2.17 / 2.79	2.46 / 3.17	3.45 / 4.44	5.92 / 7.61

Indoor unit combination	Cooling / Heating Capacity (kW)			
	Unit A	Unit B	Unit C	Unit D
22 + 25 + 35 + 71	2.01 / 2.59	2.29 / 2.94	3.20 / 4.12	6.50 / 8.35
22 + 25 + 35 + 100	1.69 / 2.18	1.92 / 2.47	2.69 / 3.46	7.69 / 9.89
22 + 25 + 50 + 50	2.10 / 2.69	2.38 / 3.06	4.76 / 6.12	4.76 / 6.12
22 + 25 + 50 + 60	1.96 / 2.52	2.23 / 2.87	4.46 / 5.73	5.35 / 6.88
22 + 25 + 50 + 71	1.83 / 2.36	2.08 / 2.68	4.17 / 5.36	5.92 / 7.61
22 + 25 + 50 + 100	1.56 / 2.01	1.78 / 2.28	3.55 / 4.57	7.11 / 9.14
22 + 25 + 60 + 60	1.84 / 2.37	2.10 / 2.69	5.03 / 6.47	5.03 / 6.47
22 + 25 + 60 + 71	1.73 / 2.22	1.97 / 2.53	4.72 / 6.07	5.58 / 7.18
22 + 25 + 71 + 71	1.63 / 2.10	1.85 / 2.38	5.26 / 6.76	5.26 / 6.76
22 + 35 + 35 + 35	2.20 / 2.55	3.50 / 4.05	3.50 / 4.05	3.50 / 4.05
22 + 35 + 35 + 50	2.17 / 2.79	3.45 / 4.44	3.45 / 4.44	4.93 / 6.34
22 + 35 + 35 + 60	2.03 / 2.61	3.22 / 4.14	3.22 / 4.14	5.53 / 7.11
22 + 35 + 35 + 71	1.89 / 2.43	3.01 / 3.87	3.01 / 3.87	6.10 / 7.84
22 + 35 + 35 + 100	1.60 / 2.06	2.55 / 3.28	2.55 / 3.28	7.29 / 9.38
22 + 35 +				

Indoor unit combination	Cooling / Heating Capacity (kW)							
	Unit A	Unit B	Unit C	Unit D	Unit E	Unit F	Unit G	Unit H
25 + 35 + 50 + 71	1.93 / 2.49	2.71 / 3.48	3.87 / 4.97	5.49 / 7.06				
25 + 35 + 60 + 60	1.94 / 2.50	2.72 / 3.50	4.67 / 6.00	4.67 / 6.00				
25 + 35 + 60 + 71	1.83 / 2.36	2.57 / 3.30	4.40 / 5.65	5.20 / 6.69				
25 + 35 + 71 + 71	1.73 / 2.23	2.43 / 3.12	4.92 / 6.33	4.92 / 6.33				
25 + 50 + 50 + 50	2.00 / 2.57	4.00 / 5.14	4.00 / 5.14	4.00 / 5.14				
25 + 50 + 50 + 60	1.89 / 2.43	3.78 / 4.86	3.78 / 4.86	4.54 / 5.84				
25 + 50 + 50 + 71	1.79 / 2.30	3.57 / 4.59	3.57 / 4.59	5.07 / 6.52				
25 + 50 + 60 + 60	1.79 / 2.31	3.59 / 4.62	4.31 / 5.54	4.31 / 5.54				
35 + 35 + 35 + 35	3.50 / 4.50	3.50 / 4.50	3.50 / 4.50	3.50 / 4.50				
35 + 35 + 35 + 50	3.16 / 4.06	3.16 / 4.06	3.16 / 4.06	4.52 / 5.81				
35 + 35 + 35 + 60	2.97 / 3.82	2.97 / 3.82	2.97 / 3.82	5.09 / 6.55				
35 + 35 + 35 + 71	2.78 / 3.58	2.78 / 3.58	2.78 / 3.58	5.65 / 7.26				
35 + 35 + 50 + 50	2.88 / 3.71	2.88 / 3.71	4.12 / 5.29	4.12 / 5.29				
35 + 35 + 50 + 60	2.72 / 3.50	2.72 / 3.50	3.89 / 5.00	4.67 / 6.00				
35 + 35 + 50 + 71	2.57 / 3.30	2.57 / 3.30	3.66 / 4.71	5.20 / 6.69				
35 + 35 + 60 + 60	2.58 / 3.32	2.58 / 3.32	4.42 / 5.68	4.42 / 5.68				
35 + 35 + 60 + 71	2.44 / 3.13	2.44 / 3.13	4.18 / 5.37	4.95 / 6.36				
35 + 50 + 50 + 50	2.65 / 3.41	3.78 / 4.86	3.78 / 4.86	3.78 / 4.86				
35 + 50 + 50 + 60	2.51 / 3.23	3.59 / 4.62	3.59 / 4.62	4.31 / 5.54				
50 + 50 + 50 + 50	3.50 / 4.50	3.50 / 4.50	3.50 / 4.50	3.50 / 4.50				
5 ROOMS								
22 + 22 + 22 + 22 + 22	2.20 / 2.56	2.20 / 2.56	2.20 / 2.56	2.20 / 2.56	2.20 / 2.56			
22 + 22 + 22 + 22 + 25	2.20 / 2.55	2.20 / 2.55	2.20 / 2.55	2.20 / 2.55	2.50 / 2.90			
22 + 22 + 22 + 22 + 35	2.20 / 2.56	2.20 / 2.56	2.20 / 2.56	2.20 / 2.56	3.50 / 4.07			
22 + 22 + 22 + 22 + 50	2.20 / 2.55	2.20 / 2.55	2.20 / 2.55	2.20 / 2.55	5.00 / 5.80			
22 + 22 + 22 + 22 + 60	2.08 / 2.68	2.08 / 2.68	2.08 / 2.68	2.08 / 2.68	5.68 / 7.30			
22 + 22 + 22 + 22 + 71	1.94 / 2.49	1.94 / 2.49	1.94 / 2.49	1.94 / 2.49	6.25 / 8.04			
22 + 22 + 22 + 22 + 100	1.64 / 2.11	1.64 / 2.11	1.64 / 2.11	1.64 / 2.11	7.45 / 9.57			
22 + 22 + 22 + 25 + 25	2.20 / 2.56	2.20 / 2.56	2.20 / 2.56	2.50 / 2.91	2.50 / 2.91			
22 + 22 + 22 + 25 + 35	2.20 / 2.55	2.20 / 2.55	2.20 / 2.55	2.50 / 2.90	3.50 / 4.06			
22 + 22 + 22 + 25 + 50	2.18 / 2.81	2.18 / 2.81	2.18 / 2.81	2.48 / 3.19	4.96 / 6.38			
22 + 22 + 22 + 25 + 60	2.04 / 2.62	2.04 / 2.62	2.04 / 2.62	2.32 / 2.98	5.56 / 7.15			
22 + 22 + 22 + 25 + 71	1.90 / 2.44	1.90 / 2.44	1.90 / 2.44	2.16 / 2.78	6.14 / 7.89			
22 + 22 + 22 + 25 + 100	1.61 / 2.07	1.61 / 2.07	1.61 / 2.07	1.83 / 2.36	7.33 / 9.42			
22 + 22 + 22 + 35 + 35	2.20 / 2.56	2.20 / 2.56	2.20 / 2.56	3.50 / 4.07	3.50 / 4.07			
22 + 22 + 22 + 35 + 50	2.04 / 2.62	2.04 / 2.62	2.04 / 2.62	3.25 / 4.17	4.64 / 5.96			
22 + 22 + 22 + 35 + 60	1.91 / 2.46	1.91 / 2.46	1.91 / 2.46	3.04 / 3.91	5.22 / 6.71			
22 + 22 + 22 + 35 + 71	1.79 / 2.30	1.79 / 2.30	1.79 / 2.30	2.85 / 3.66	5.78 / 7.43			
22 + 22 + 22 + 35 + 100	1.53 / 1.97	1.53 / 1.97	1.53 / 1.97	2.44 / 3.13	6.97 / 8.96			
22 + 22 + 22 + 50 + 50	1.86 / 2.39	1.86 / 2.39	1.86 / 2.39	4.22 / 5.42	4.22 / 5.42			
22 + 22 + 22 + 50 + 60	1.75 / 2.25	1.75 / 2.25	1.75 / 2.25	3.98 / 5.11	4.77 / 6.14			
22 + 22 + 22 + 50 + 71	1.65 / 2.12	1.65 / 2.12	1.65 / 2.12	3.74 / 4.81	5.32 / 6.83			
22 + 22 + 22 + 60 + 60	1.66 / 2.13	1.66 / 2.13	1.66 / 2.13	4.52 / 5.81	4.52 / 5.81			
22 + 22 + 22 + 60 + 71	1.56 / 2.01	1.56 / 2.01	1.56 / 2.01	4.26 / 5.48	5.05 / 6.49			
22 + 22 + 25 + 25 + 25	2.20 / 2.55	2.20 / 2.55	2.50 / 2.90	2.50 / 2.90	2.50 / 2.90			
22 + 22 + 25 + 25 + 35	2.20 / 2.56	2.20 / 2.56	2.50 / 2.91	2.50 / 2.91	3.50 / 4.07			
22 + 22 + 25 + 25 + 50	2.14 / 2.75	2.14 / 2.75	2.43 / 3.13	2.43 / 3.13	4.86 / 6.25			
22 + 22 + 25 + 25 + 60	2.00 / 2.57	2.00 / 2.57	2.27 / 2.92	2.27 / 2.92	5.45 / 7.01			

Indoor unit combination	Cooling / Heating Capacity (kW)							
	Unit A	Unit B	Unit C	Unit D	Unit E	Unit F	Unit G	Unit H
22 + 22 + 25 + 25 + 71	1.87 / 2.40	1.87 / 2.40	2.12 / 2.73	2.12 / 2.73	6.02 / 7.75			
22 + 22 + 25 + 25 + 100	1.59 / 2.04	1.59 / 2.04	1.80 / 2.32	1.80 / 2.32	7.22 / 9.28			
22 + 22 + 25 + 35 + 35	2.20 / 2.55	2.20 / 2.55	2.50 / 2.90	3.50 / 4.05	3.50 / 4.05			
22 + 22 + 25 + 35 + 50	2.00 / 2.57	2.00 / 2.57	2.27 / 2.92	3.18 / 4.09	4.55 / 5.84			
22 + 22 + 25 + 35 + 60	1.88 / 2.41	1.88 / 2.41	2.13 / 2.74	2.99 / 3.84	5.12 / 6.59			
22 + 22 + 25 + 35 + 71	1.76 / 2.26	1.76 / 2.26	2.00 / 2.57	2.80 / 3.60	5.68 / 7.30			
22 + 22 + 25 + 50 + 50	1.82 / 2.34	1.82 / 2.34	2.07 / 2.66	4.14 / 5.33	4.14 / 5.33			
22 + 22 + 25 + 50 + 60	1.72 / 2.21	1.72 / 2.21	1.96 / 2.51	3.91 / 5.03	4.69 / 6.03			
22 + 22 + 25 + 50 + 71	1.62 / 2.08	1.62 / 2.08	1.84 / 2.37	3.68 / 4.74	5.23 / 6.73			
22 + 22 + 25 + 60 + 60	1.63 / 2.10	1.63 / 2.10	1.85 / 2.38	4.44 / 5.71	4.44 / 5.71			
22 + 22 + 25 + 60 + 71	1.54 / 1.98	1.54 / 1.98	1.75 / 2.25	4.20 / 5.40	4.97 / 6.39			
22 + 22 + 35 + 35 + 35	2.07 / 2.66	2.07 / 2.66	3.29 / 4.23	3.29 / 4.23	3.29 / 4.23			
22 + 22 + 35 + 35 + 50	1.88 / 2.41	1.88 / 2.41	2.99 / 3.84	2.99 / 3.84	4.27 / 5.49			
22 + 22 + 35 + 35 + 60	1.77 / 2.28	1.77 / 2.28	2.82 / 3.62	2.82 / 3.62	4.83 / 6.21			
22 + 22 + 35 + 35 + 71	1.66 / 2.14	1.66 / 2.14	2.65 / 3.41	2.65 / 3.41	5.37 / 6.91			
22 + 22 + 35 + 50 + 50	1.72 / 2.21	1.72 / 2.21	2.74 / 3.52	3.91 / 5.03	3.91 / 5.03			
22 + 22 + 35 + 50 + 60	1.63 / 2.10	1.63 / 2.10	2.59 / 3.33	3.70 / 4.76	4.44 / 5.71			
22 + 22 + 35 + 50 + 71	1.54 / 1.98	1.54 / 1.98	2.45 / 3.15	3.50 / 4.50	4.97 / 6.39			
22 + 22 + 35 + 60 + 60	1.55 / 1.99	1.55 / 1.99	2.46 / 3.17	4.22 / 5.43	4.22 / 5.43			
22 + 22 + 50 + 50 + 50	1.59 / 2.04	1.59 / 2.04	3.61 / 4.64	3.61 / 4.64	3.61 / 4.64			
22 + 25 + 25 + 25 + 25	2.20 / 2.56	2.50 / 2.91	2.50 / 2.91	2.50 / 2.91	2.50 / 2.91			
22 + 25 + 25 + 25 + 35	2.20 / 2.55	2.50 / 2.90	2.50 / 2.90	2.50 / 2.90	3.50 / 4.06			
22 + 25 + 25 + 25 + 50	2.10 / 2.69	2.38 / 3.06	2.38 / 3.06	2.38 / 3.06	4.76 / 6.12			
22 + 25 + 25 + 25 + 60	1.96 / 2.52	2.23 / 2.87	2.23 / 2.87	2.23 / 2.87	5.35 / 6.88			
22 + 25 + 25 + 25 + 71	1.83 / 2.36	2.08 / 2.68	2.08 / 2.68	2.08 / 2.68	5.92 / 7.61			
22 + 25 + 25 + 25 + 100	1.56 / 2.01	1.78 / 2.28	1.78 / 2.28	1.78 / 2.28	7.11 / 9.14			
22 + 25 + 25 + 35 + 35	2.17 / 2.79	2.46 / 3.17	2.46 / 3.17	3.45 / 4.44	3.45 / 4.44			
22 + 25 + 25 + 35 + 50	1.96 / 2.52	2.23 / 2.87	2.23 / 2.87	3.12 / 4.01	4.46 / 5.73			
22 + 25 + 25 + 35 + 60	1.84 / 2.37	2.10 / 2.69	2.10 / 2.69	2.93 / 3.77	5.03 / 6.47			
22 + 25 + 25 + 35 + 71	1.73 / 2.22	1.97 / 2.53	1.97 / 2.53	2.75 / 3.54	5.58 / 7.18			
22 + 25 + 25 + 50 + 50	1.79 / 2.30	2.03 / 2.62	2.03 / 2.62	4.07 / 5.23	4.07 / 5.23			
22 + 25 + 25 + 50 + 60	1.69 / 2.18	1.92 / 2.47	1.92 / 2.47	3.85 / 4.95	4.62 / 5.93			
22 + 25 + 25 + 50 + 71	1.60 / 2.05	1.81 / 2.33	1.81 / 2.33	3.63 / 4.66	5.15 / 6.62			
22 + 25 + 25 + 60 + 60	1.60 / 2.06	1.82 / 2.34	1.82 / 2.34	4.38 / 5.63	4.38 / 5.63			
22 + 25 + 35 + 35 + 35	2.03 / 2.61	2.30 / 2.96	3.22 / 4.14	3.22 / 4.14	3.22 / 4.14			
22 + 25 + 35 + 35 + 50	1.84 / 2.37	2.10 / 2.69	2.93 / 3.77	2.93 / 3.77	4.19 / 5.39			
22 + 25 + 35 + 35 + 60	1.74 / 2.24	1.98 / 2.54	2.77 / 3.56	2.77 / 3.56	4.75 / 6.10			
22 + 25 + 35 + 35 + 71	1.64 / 2.11	1.86 / 2.39	2.61 / 3.35	2.61 / 3.35	5.29 / 6.80			
22 + 25 + 35 + 50 + 50	1.69 / 2.18	1.92 / 2.47	2.69 / 3.46	3.85 / 4.95	3.85 / 4.95			
22 + 25 + 35 + 50 + 60	1.60 / 2.06	1.82 / 2.34	2.55 / 3.28	3.65 / 4.69	4.38 / 5.63			
22 + 25 + 35 + 60 + 60	1.52 / 1.96	1.73 / 2.23	2.43 / 3.12	4.16 / 5.35	4.16 / 5.35			
22 + 25 + 50 + 50 + 50	1.56 / 2.01	1.78 / 2.28	3.55 / 4.57	3.55 / 4.57	3.55 / 4.57			
22 + 35 + 35 + 35 + 35	1.90 / 2.44	3.02 / 3.89	3.02 / 3.89	3.02 / 3.89	3.02 / 3.89			
22 + 35 + 35 + 35 + 50	1.74 / 2.24	2.77 / 3.56	2.77 / 3.56	2.77 / 3.56	3.95 / 5.08			
22 + 35 + 35 + 35 + 60	1.65 / 2.12	2.62 / 3.37	2.62 / 3.37	2.62 / 3.37	4.49 / 5.78			
22 + 35 + 35 + 35 + 71	1.56 / 2.00	2.47 / 3.18	2.47 / 3.18	2.47 / 3.18	5.02 / 6.45			
22 + 35 + 35 + 50 + 50	1.60 / 2.06	2.55 / 3.28	2.55 / 3.28	3.65 / 4.69	3.65 / 4.69			
22 + 35 + 35 + 50 + 60	1.52 / 1.96	2.43 / 3.12	2.43 / 3.12	3.47 / 4.46	4.16 / 5.35			
25 + 25 + 25 + 25 + 25	2.50 / 2.90	2.50 / 2.90	2.50 / 2.90	2.50 / 2.90	2.50 / 2.90			

Indoor unit combination	Cooling / Heating Capacity (kW)							
	Unit A	Unit B	Unit C	Unit D	Unit E	Unit F	Unit G	Unit H
25 + 25 + 25 + 25 + 35	2.50 / 2.91	2.50 / 2.91	2.50 / 2.91	2.50 / 2.91	3.50 / 4.07			
25 + 25 + 25 + 25 + 50	2.33 / 3.00	2.33 / 3.00	2.33 / 3.00	2.33 / 3.00	4.67 / 6.00			
25 + 25 + 25 + 25 + 60	2.19 / 2.81	2.19 / 2.81	2.19 / 2.81	2.19 / 2.81	5.25 / 6.75			
25 + 25 + 25 + 25 + 71	2.05 / 2.63	2.05 / 2.63	2.05 / 2.63	2.05 / 2.63	5.81 / 7.47			
25 + 25 + 25 + 25 + 100	1.75 / 2.25	1.75 / 2.25	1.75 / 2.25	1.75 / 2.25	7.00 / 9.00			
25 + 25 + 25 + 35 + 35	2.41 / 3.10	2.41 / 3.10	2.41 / 3.10	3.38 / 4.34	3.38 / 4.34			
25 + 25 + 25 + 35 + 50	2.19 / 2.81	2.19 / 2.81	2.19 / 2.81	3.06 / 3.94	4.38 / 5.63			
25 + 25 + 25 + 35 + 60	2.06 / 2.65	2.06 / 2.65	2.06 / 2.65	2.88 / 3.71	4.94 / 6.35			
25 + 25 + 25 + 35 + 71	1.93 / 2.49	1.93 / 2.49	1.93 / 2.49	2.71 / 3.48	5.49 / 7.06			
25 + 25 + 25 + 50 + 50	2.00 / 2.57	2.00 / 2.57	2.00 / 2.57	4.00 / 5.14	4.00 / 5.14			
25 + 25 + 25 + 50 + 60	1.89 / 2.43	1.89 / 2.43	1.89 / 2.43	3.78 / 4.86	4.54 / 5.84			
25 + 25 + 25 + 50 + 71	1.79 / 2.30	1.79 / 2.30	1.79 / 2.30	3.57 / 4.59	5.07 / 6.52			
25 + 25 + 25 + 60 + 60	1.79 / 2.31	1.79 / 2.31	1.79 / 2.31	4.31 / 5.54	4.31 / 5.54			
25 + 25 + 35 + 35 + 35	2.26 / 2.90	2.26 / 2.90	3.16 / 4.06	3.16 / 4.06	3.16 / 4.06			
25 + 25 + 35 + 35 + 50	2.06 / 2.65	2.06 / 2.65	2.88 / 3.71	2.88 / 3.71	4.12 / 5.29			
25 + 25 + 35 + 35 + 60	1.94 / 2.50	1.94 / 2.50	2.72 / 3.50	2.72 / 3.50	4.67 / 6.00			
25 + 25 + 35 + 35 + 71	1.83 / 2.36	1.83 / 2.36	2.57 / 3.30	2.57 / 3.30	5.20 / 6.69			
25 + 25 + 35 + 50 + 50	1.89 / 2.43	1.89 / 2.43	2.65 / 3.41	3.78 / 4.86	3.78 / 4.86			
25 + 25 + 35 + 50 + 60	1.79 / 2.31	1.79 / 2.31	2.51 / 3.23	3.59 / 4.62	4.31 / 5.54			
25 + 25 + 50 + 50 + 50	1.75 / 2.25	1.75 / 2.25	3.50 / 4.50	3.50 / 4.50	3.50 / 4.50			
25 + 35 + 35 + 35 + 35	2.12 / 2.73	2.97 / 3.82	2.97 / 3.82	2.97 / 3.82	2.97 / 3.82			
25 + 35 + 35 + 35 + 50	1.94 / 2.50	2.72 / 3.50	2.72 / 3.50	2.72 / 3.50	3.89 / 5.00			
25 + 35 + 35 + 35 + 60	1.84 / 2.37	2.58 / 3.32	2.58 / 3.32	2.58 / 3.32	4.42 / 5.68			
25 + 35 + 35 + 35 + 71	1.74 / 2.24	2.44 / 3.13	2.44 / 3.13	2.44 / 3.13	4.95 / 6.36			
25 + 35 + 35 + 50 + 50	1.79 / 2.31	2.51 / 3.23	2.51 / 3.23	3.59 / 4.62	3.59 / 4.62			
35 + 35 + 35 + 35 + 35	2.80 / 3.60	2.80 / 3.60	2.80 / 3.60	2.80 / 3.60	2.80 / 3.60			
35 + 35 + 35 + 35 + 50	2.58 / 3.32	2.58 / 3.32	2.58 / 3.32	2.58 / 3.32	3.68 / 4.74			
35 + 35 + 35 + 35 + 60	2.45 / 3.15	2.45 / 3.15	2.45 / 3.15	2.45 / 3.15	4.20 / 5.40			
6 ROOMS								
22 + 22 + 22 + 22 + 22 + 22	2.20 / 2.55	2.20 / 2.55	2.20 / 2.55	2.20 / 2.55	2.20 / 2.55	2.20 / 2.55		
22 + 22 + 22 + 22 + 22 + 25	2.20 / 2.56	2.20 / 2.56	2.20 / 2.56	2.20 / 2.56	2.20 / 2.56	2.50 / 2.91		
22 + 22 + 22 + 22 + 22 + 35	2.12 / 2.73	2.12 / 2.73	2.12 / 2.73	2.12 / 2.73	2.12 / 2.73	3.38 / 4.34		
22 + 22 + 22 + 22 + 22 + 50	1.93 / 2.48	1.93 / 2.48	1.93 / 2.48	1.93 / 2.48	1.93 / 2.48	4.38 / 5.63		
22 + 22 + 22 + 22 + 22 + 60	1.81 / 2.33	1.81 / 2.33	1.81 / 2.33	1.81 / 2.33	1.81 / 2.33	4.94 / 6.35		
22 + 22 + 22 + 22 + 22 + 71	1.70 / 2.19	1.70 / 2.19	1.70 / 2.19	1.70 / 2.19	1.70 / 2.19	5.49 / 7.06		
22 + 22 + 22 + 22 + 25 + 25	2.20 / 2.55	2.20 / 2.55	2.20 / 2.55	2.20 / 2.55	2.50 / 2.90	2.50 / 2.90		
22 + 22 + 22 + 22 + 25 + 35	2.08 / 2.68	2.08 / 2.68	2.08 / 2.68	2.08 / 2.68	2.36 / 3.04	3.31 / 4.26		
22 + 22 + 22 + 22 + 25 + 50	1.89 / 2.43	1.89 / 2.43	1.89 / 2.43	1.89 / 2.43	2.15 / 2.76	4.29 / 5.52		
22 + 22 + 22 + 22 + 25 + 60	1.78 / 2.29	1.78 / 2.29	1.78 / 2.29	1.78 / 2.29	2.02 / 2.60	4.86 / 6.24		
22 + 22 + 22 + 22 + 25 + 71	1.67 / 2.15	1.67 / 2.15	1.67 / 2.15	1.67 / 2.15	1.90 / 2.45	5.40 / 6.95		
22 + 22 + 22 + 22 + 35 + 35	1.95 / 2.51	1.95 / 2.51	1.95 / 2.51	1.95 / 2.51	3.10 / 3.99	3.10 / 3.99		
22 + 22 + 22 + 22 + 35 + 50	1.78 / 2.29	1.78 / 2.29	1.78 / 2.29	1.78 / 2.29	2.83 / 3.64	4.05 / 5.20		
22 + 22 + 22 + 22 + 35 + 60	1.68 / 2.16	1.68 / 2.16	1.68 / 2.16	1.68 / 2.16	2.68 / 3.44	4.59 / 5.90		
22 + 22 + 22 + 22 + 35 + 71	1.59 / 2.04	1.59 / 2.04	1.59 / 2.04	1.59 / 2.04	2.53 / 3.25	5.12 / 6.59		
22 + 22 + 22 + 22 + 50 + 50	1.64 / 2.11	1.64 / 2.11	1.64 / 2.11	1.64 / 2.11	3.72 / 4.79	3.72 / 4.79		
22 + 22 + 22 + 22 + 50 + 60	1.56 / 2.00	1.56 / 2.00	1.56 / 2.00	1.56 / 2.00	3.54 / 4.55	4.24 / 5.45		
22 + 22 + 22 + 25 + 25 + 25	2.18 / 2.81	2.18 / 2.81	2.18 / 2.81	2.48 / 3.19	2.48 / 3.19	2.48 / 3.19		
22 + 22 + 22 + 25 + 25 + 35	2.04 / 2.62	2.04 / 2.62	2.04 / 2.62	2.32 / 2.98	2.32 / 2.98	3.25 / 4.17		

Indoor unit combination	Cooling / Heating Capacity (kW)							
	Unit A	Unit B	Unit C	Unit D	Unit E	Unit F	Unit G	Unit H
22 + 22 + 22 + 25 + 25 + 50	1.86 / 2.39	1.86 / 2.39	1.86 / 2.39	2.11 / 2.71	2.11 / 2.71	4.22 / 5.42		
22 + 22 + 22 + 25 + 25 + 60	1.75 / 2.25	1.75 / 2.25	1.75 / 2.25	1.99 / 2.56	1.99 / 2.56	4.77 / 6.14		
22 + 22 + 22 + 25 + 25 + 71	1.65 / 2.12	1.65 / 2.12	1.65 / 2.12	1.87 / 2.41	1.87 / 2.41	5.32 / 6.83		
22 + 22 + 22 + 25 + 35 + 35	1.91 / 2.46	1.91 / 2.46	1.91 / 2.46	2.17 / 2.80	3.04 / 3.91	3.04 / 3.91		
22 + 22 + 22 + 25 + 35 + 50	1.75 / 2.25	1.75 / 2.25	1.75 / 2.25	1.99 / 2.56	2.78 / 3.58	3.98 / 5.11		
22 + 22 + 22 + 25 + 35 + 60	1.66 / 2.13	1.66 / 2.13	1.66 / 2.13	1.88 / 2.42	2.63 / 3.39	4.52 / 5.81		
22 + 22 + 22 + 25 + 35 + 71	1.56 / 2.01	1.56 / 2.01	1.56 / 2.01	1.78 / 2.28	2.49 / 3.20	5.05 / 6.49		
22 + 22 + 22 + 25 + 50 + 50	1.61 / 2.07	1.61 / 2.07	1.61 / 2.07	1.83 / 2.36	3.66 / 4.71	3.66 / 4.71		
22 + 22 + 22 + 25 + 50 + 60	1.53 / 1.97	1.53 / 1.97	1.53 / 1.97	1.74 / 2.24	3.48 / 4.48	4.18 / 5.37		
22 + 22 + 22 + 35 + 35 + 35	1.80 / 2.32	1.80 / 2.32	1.80 / 2.32	2.87 / 3.68	2.87 / 3.68	2.87 / 3.68		
22 + 22 + 22 + 35 + 35 + 50	1.66 / 2.13	1.66 / 2.13	1.66 / 2.13	2.63 / 3.39	2.63 / 3.39	3.76 / 4.84		
22 + 22 + 22 + 35 + 35 + 60	1.57 / 2.02	1.57 / 2.02	1.57 / 2.02	2.50 / 3.21	2.50 / 3.21	4.29 / 5.51		
22 + 22 + 22 + 35 + 50 + 50	1.53 / 1.97	1.53 / 1.97	1.53 / 1.97	2.44 / 3.13	3.48 / 4.48	3.48 / 4.48		
22 + 22 + 25 + 25 + 25 + 25	2.14 / 2.75	2.14 / 2.75	2.43 / 3.13	2.43 / 3.13	2.43 / 3.13	2.43 / 3.13		
22 + 22 + 25 + 25 + 25 + 35	2.00 / 2.57	2.00 / 2.57	2.27 / 2.92	2.27 / 2.92	2.27 / 2.92	3.18 / 4.09		
22 + 22 + 25 + 25 + 25 + 50	1.82 / 2.34	1.82 / 2.34	2.07 / 2.66	2.07 / 2.66	2.07 / 2.66	4.14 / 5.33		
22 + 22 + 25 + 25 + 25 + 60	1.72 / 2.21	1.72 / 2.21	1.96 / 2.51	1.96 / 2.51	1.96 / 2.51	4.69 / 6.03		
22 + 22 + 25 + 25 + 25 + 71	1.62 / 2.08	1.62 / 2.08	1.84 / 2.37	1.84 / 2.37	1.84 / 2.37	5.23 / 6.73		
22 + 22 + 25 + 25 + 35 + 35	1.88 / 2.41	1.88 / 2.41	2.13 / 2.74	2.13 / 2.74	2.99 / 3.84	2.99 / 3.84		
22 + 22 + 25 + 25 + 35 + 50	1.72 / 2.21	1.72 / 2.21	1.96 / 2.51	1.96 / 2.51	2.74 / 3.52	3.91 / 5.03		
22 + 22 + 25 + 25 + 35 + 60	1.63 / 2.10	1.63 / 2.10	1.85 / 2.38	1.85 / 2.38	2.59 / 3.33	4.44 / 5.71		
22 + 22 + 25 + 25 + 35 + 71	1.54 / 1.98	1.54 / 1.98	1.75 / 2.25	1.75 / 2.25	2.45 / 3.15	4.97 / 6.39		
22 + 22 + 25 + 25 + 50 + 50	1.59 / 2.04	1.59 / 2.04	1.80 / 2.32	1.80 / 2.32	3.61 / 4.64	3.61 / 4.64		
22 + 22 + 25 + 35 + 35 + 35	1.77 / 2.28	1.77 / 2.28	2.01 / 2.59	2.82 / 3.62	2.82 / 3.62	2.82 / 3.62		
22 + 22 + 25 + 35 + 35 + 50	1.63 / 2.10	1.63 / 2.10	1.85 / 2.38	2.59 / 3.33	2.59 / 3.33	3.70 / 4.76		
22 + 22 + 25 + 35 + 35 + 60	1.55 / 1.99	1.55 / 1.99	1.76 / 2.26	2.46 / 3.17	2.46 / 3.17	4.22 / 5.43		
22 + 22 + 35 + 35 + 35 + 35	1.67 / 2.15	1.67 / 2.15	2.66 / 3.42	2.66 / 3.42	2.66 / 3.42	2.66 / 3.42		
22 + 22 + 35 + 35 + 35 + 50	1.55 / 1.99	1.55 / 1.99	2.46 / 3.17	2.46 / 3.17	2.46 / 3.17	3.52 / 4.52		
22 + 25 + 25 + 25 + 25 + 25	2.10 / 2.69	2.38 / 3.06	2.38 / 3.06	2.38 / 3.06	2.38 / 3.06	2.38 / 3.06		
22 + 25 + 25 + 25 + 25 + 35	1.96 / 2.52	2.23 / 2.87	2.23 / 2.87	2.23 / 2.87	2.23 / 2.87	3.12 / 4.01		
22 + 25 + 25 + 25 + 25 + 50	1.79 / 2.30	2.03 / 2.62	2.03 / 2.62	2.03 / 2.62	2.03 / 2.62	4.07 / 5.23		
22 + 25 + 25 + 25 + 25 + 60	1.69 / 2.18	1.92 / 2.47	1.92 / 2.47	1.92 / 2.47	1.92 / 2.47	4.62 / 5.93		
22 + 25 + 25 + 25 + 25 + 71	1.60 / 2.05	1.81 / 2.33	1.81 / 2.33	1.81 / 2.33	1.81 / 2.33	5.15 / 6.62		
22 + 25 + 25 + 25 + 35 + 35	1.84 / 2.37	2.10 / 2.69	2.10 / 2.69	2.10 / 2.69	2.93 / 3.77	2.93 / 3.77		
22 + 25 + 25 + 25 + 35 + 50	1.69 / 2.18	1.92 / 2.47	1.92 / 2.47	1.92 / 2.47	2.69 / 3.46	3.85 / 4.95		
22 + 25 + 25 + 25 + 35 + 60	1.60 / 2.06	1.82 / 2.34	1.82 / 2.34	1.82 / 2.34	2.55 / 3.28	4.38 / 5.63		
22 + 25 + 25 + 25 + 50 + 50	1.56 / 2.01	1.78 / 2.28	1.78 / 2.28	1.78 / 2.28	3.55 / 4.57	3.55 / 4.57		
22 + 25 + 25 + 35 + 35 + 35	1.74 / 2.24	1.98 / 2.54	1.98 / 2.54	2.77 / 3.56	2.77 / 3.56	2.77 / 3.56		
22 + 25 + 25 + 35 + 35 + 50	1.60 / 2.06	1.82 / 2.34	1.82 / 2.34	2.55 / 3.28	2.55 / 3.28	3.65 / 4.69		
22 + 25 + 25 + 35 + 35 + 60	1.52 / 1.96	1.73 / 2.23	1.73 / 2.23	2.43 / 3.12	2.43 / 3.12	4.16 / 5.35		
22 + 25 + 35 + 35 + 35 + 35	1.65 / 2.12	1.87 / 2.41	2.62 / 3.37	2.62 / 3.37	2.62 / 3.37	2.62 / 3.37		
22 + 25 + 35 + 35 + 35 + 50	1.52 / 1.96	1.73 / 2.23	2.43 / 3.12	2.43 / 3.12	2.43 / 3.12	3.47 / 4.46		
22 + 35 + 35 + 35 + 35 + 35	1.56 / 2.01	2.49 / 3.20	2.49 / 3.20	2.49 / 3.20	2.49 / 3.20	2.49 / 3.20		
25 + 25 + 25 + 25 + 25 + 25	2.33 / 3.00	2.33 / 3.00	2.33 / 3.00	2.33 / 3.00	2.33 / 3.00	2.33 / 3.00		
25 + 25 + 25 + 25 + 25 + 35	2.19 / 2.81	2.19 / 2.81	2.19 / 2.81	2.19 / 2.81	2.19 / 2.81	3.06 / 3.94		
25 + 25 + 25 + 25 + 25 + 50	2.00 / 2.57	2.00 / 2.57	2.00 / 2.57	2.00 / 2.57	2.00 / 2.57	4.00 / 5.14		
25 + 25 + 25 + 25 + 25 + 60	1.89 / 2.43	1.89 / 2.43	1.89 / 2.43	1.89 / 2.43	1.89 / 2.43	4.54 / 5.84		
25 + 25 + 25 + 25 + 25 + 71	1.79 / 2.30	1.79 / 2.30	1.79 / 2.30	1.79 / 2.30	1.79 / 2.30	5.07 / 6.52		
25 + 25 + 25 + 25 + 35 + 35	2.06 / 2.65	2.06 / 2.65	2.06 / 2.65	2.06 / 2.65	2.88 / 3.71	2.88 / 3.71		

Indoor unit combination	Cooling / Heating Capacity (kW)							
	Unit A	Unit B	Unit C	Unit D	Unit E	Unit F	Unit G	Unit H
25 + 25 + 25 + 25 + 35 + 60	1.79 / 2.31	1.79 / 2.31	1.79 / 2.31	1.79 / 2.31	2.51 / 3.23	4.31 / 5.54		
25 + 25 + 25 + 25 + 50 + 50	1.75 / 2.25	1.75 / 2.25	1.75 / 2.25	1.75 / 2.25	3.50 / 4.50	3.50 / 4.50		
25 + 25 + 25 + 35 + 35 + 35	1.94 / 2.50	1.94 / 2.50	1.94 / 2.50	2.72 / 3.50	2.72 / 3.50	2.72 / 3.50		
25 + 25 + 25 + 35 + 35 + 50	1.79 / 2.31	1.79 / 2.31	1.79 / 2.31	2.51 / 3.23	2.51 / 3.23	3.59 / 4.62		
25 + 25 + 35 + 35 + 35 + 35	1.84 / 2.37	1.84 / 2.37	2.58 / 3.32	2.58 / 3.32	2.58 / 3.32	2.58 / 3.32		
25 + 35 + 35 + 35 + 35 + 35	1.75 / 2.25	2.45 / 3.15	2.45 / 3.15	2.45 / 3.15	2.45 / 3.15	2.45 / 3.15		
7 ROOMS								
22 + 22 + 22 + 22 + 22 + 22 + 22	2.00 / 2.57	2.00 / 2.57	2.00 / 2.57	2.00 / 2.57	2.00 / 2.57	2.00 / 2.57	2.00 / 2.57	
22 + 22 + 22 + 22 + 22 + 22 + 25	1.96 / 2.52	1.96 / 2.52	1.96 / 2.52	1.96 / 2.52	1.96 / 2.52	1.96 / 2.52	2.23 / 2.87	
22 + 22 + 22 + 22 + 22 + 22 + 35	1.84 / 2.37	1.84 / 2.37	1.84 / 2.37	1.84 / 2.37	1.84 / 2.37	1.84 / 2.37	2.93 / 3.77	
22 + 22 + 22 + 22 + 22 + 22 + 50	1.69 / 2.18	1.69 / 2.18	1.69 / 2.18	1.69 / 2.18	1.69 / 2.18	1.69 / 2.18	3.85 / 4.95	
22 + 22 + 22 + 22 + 22 + 22 + 60	1.60 / 2.06	1.60 / 2.06	1.60 / 2.06	1.60 / 2.06	1.60 / 2.06	1.60 / 2.06	4.38 / 5.63	
22 + 22 + 22 + 22 + 22 + 25 + 25	1.93 / 2.48	1.93 / 2.48	1.93 / 2.48	1.93 / 2.48	1.93 / 2.48	2.19 / 2.81	2.19 / 2.81	
22 + 22 + 22 + 22 + 22 + 25 + 35	1.81 / 2.33	1.81 / 2.33	1.81 / 2.33	1.81 / 2.33	1.81 / 2.33	2.06 / 2.65	2.88 / 3.71	
22 + 22 + 22 + 22 + 22 + 25 + 50	1.66 / 2.14	1.66 / 2.14	1.66 / 2.14	1.66 / 2.14	1.66 / 2.14	1.89 / 2.43	3.78 / 4.86	
22 + 22 + 22 + 22 + 22 + 25 + 60	1.58 / 2.03	1.58 / 2.03	1.58 / 2.03	1.58 / 2.03	1.58 / 2.03	1.79 / 2.31	4.31 / 5.54	
22 + 22 + 22 + 22 + 22 + 35 + 35	1.71 / 2.20	1.71 / 2.20	1.71 / 2.20	1.71 / 2.20	1.71 / 2.20	2.72 / 3.50	2.72 / 3.50	
22 + 22 + 22 + 22 + 22 + 35 + 50	1.58 / 2.03	1.58 / 2.03	1.58 / 2.03	1.58 / 2.03	1.58 / 2.03	2.51 / 3.23	3.59 / 4.62	
22 + 22 + 22 + 22 + 25 + 25 + 25	1.89 / 2.43	1.89 / 2.43	1.89 / 2.43	1.89 / 2.43	2.15 / 2.76	2.15 / 2.76	2.15 / 2.76	
22 + 22 + 22 + 22 + 25 + 25 + 35	1.78 / 2.29	1.78 / 2.29	1.78 / 2.29	1.78 / 2.29	2.02 / 2.60	2.02 / 2.60	2.83 / 3.64	
22 + 22 + 22 + 22 + 25 + 25 + 50	1.64 / 2.11	1.64 / 2.11	1.64 / 2.11	1.64 / 2.11	1.86 / 2.39	1.86 / 2.39	3.72 / 4.79	
22 + 22 + 22 + 22 + 25 + 25 + 60	1.56 / 2.00	1.56 / 2.00	1.56 / 2.00	1.56 / 2.00	1.77 / 2.27	1.77 / 2.27	4.24 / 5.45	
22 + 22 + 22 + 22 + 25 + 35 + 35	1.68 / 2.16	1.68 / 2.16	1.68 / 2.16	1.68 / 2.16	1.91 / 2.46	2.68 / 3.44	2.68 / 3.44	
22 + 22 + 22 + 22 + 25 + 35 + 50	1.56 / 2.00	1.56 / 2.00	1.56 / 2.00	1.56 / 2.00	1.77 / 2.27	2.47 / 3.18	3.54 / 4.55	
22 + 22 + 22 + 22 + 35 + 35 + 35	1.60 / 2.05	1.60 / 2.05	1.60 / 2.05	1.60 / 2.05	2.54 / 3.26	2.54 / 3.26	2.54 / 3.26	
22 + 22 + 22 + 25 + 25 + 25 + 25	1.86 / 2.39	1.86 / 2.39	1.86 / 2.39	2.11 / 2.71	2.11 / 2.71	2.11 / 2.71	2.11 / 2.71	
22 + 22 + 22 + 25 + 25 + 25 + 35	1.75 / 2.25	1.75 / 2.25	1.75 / 2.25	1.99 / 2.56	1.99 / 2.56	1.99 / 2.56	2.78 / 3.58	
22 + 22 + 22 + 25 + 25 + 25 + 50	1.61 / 2.07	1.61 / 2.07	1.61 / 2.07	1.83 / 2.36	1.83 / 2.36	1.83 / 2.36	3.66 / 4.71	
22 + 22 + 22 + 25 + 25 + 25 + 60	1.53 / 1.97	1.53 / 1.97	1.53 / 1.97	1.74 / 2.24	1.74 / 2.24	1.74 / 2.24	4.18 / 5.37	
22 + 22 + 22 + 25 + 25 + 35 + 35	1.66 / 2.13	1.66 / 2.13	1.66 / 2.13	1.88 / 2.42	1.88 / 2.42	2.63 / 3.39	2.63 / 3.39	
22 + 22 + 22 + 25 + 25 + 35 + 50	1.53 / 1.97	1.53 / 1.97	1.53 / 1.97	1.74 / 2.24	1.74 / 2.24	2.44 / 3.13	3.48 / 4.48	
22 + 22 + 22 + 25 + 35 + 35 + 35	1.57 / 2.02	1.57 / 2.02	1.57 / 2.02	1.79 / 2.30	2.50 / 3.21	2.50 / 3.21	2.50 / 3.21	
22 + 22 + 25 + 25 + 25 + 25 + 25	1.82 / 2.34	1.82 / 2.34	2.07 / 2.66	2.07 / 2.66	2.07 / 2.66	2.07 / 2.66	2.07 / 2.66	
22 + 22 + 25 + 25 + 25 + 25 + 35	1.72 / 2.21	1.72 / 2.21	1.96 / 2.51	1.96 / 2.51	1.96 / 2.51	1.96 / 2.51	2.74 / 3.52	
22 + 22 + 25 + 25 + 25 + 25 + 50	1.59 / 2.04	1.59 / 2.04	1.80 / 2.32	1.80 / 2.32	1.80 / 2.32	1.80 / 2.32	3.61 / 4.64	
22 + 22 + 25 + 25 + 25 + 35 + 35	1.63 / 2.10	1.63 / 2.10	1.85 / 2.38	1.85 / 2.38	1.85 / 2.38	2.59 / 3.33	2.59 / 3.33	
22 + 22 + 25 + 25 + 35 + 35 + 35	1.55 / 1.99	1.55 / 1.99	1.76 / 2.26	1.76 / 2.26	2.46 / 3.17	2.46 / 3.17	2.46 / 3.17	
22 + 25 + 25 + 25 + 25 + 25 + 25	1.79 / 2.30	2.03 / 2.62	2.03 / 2.62	2.03 / 2.62	2.03 / 2.62	2.03 / 2.62	2.03 / 2.62	
22 + 25 + 25 + 25 + 25 + 25 + 35	1.69 / 2.18	1.92 / 2.47	1.92 / 2.47	1.92 / 2.47	1.92 / 2.47	1.92 / 2.47	2.69 / 3.46	
22 + 25 + 25 + 25 + 25 + 25 + 50	1.56 / 2.01	1.78 / 2.28	1.78 / 2.28	1.78 / 2.28	1.78 / 2.28	1.78 / 2.28	3.55 / 4.57	
22 + 25 + 25 + 25 + 25 + 35 + 35	1.60 / 2.06	1.82 / 2.34	1.82 / 2.34	1.82 / 2.34	1.82 / 2.34	2.55 / 3.28	2.55 / 3.28	
22 + 25 + 25 + 25 + 35 + 35 + 35	1.52 / 1.96	1.73 / 2.23	1.73 / 2.23	1.73 / 2.23	2.43 / 3.12	2.43 / 3.12	2.43 / 3.12	
25 + 25 + 25 + 25 + 25 + 25 + 25	2.00 / 2.57	2.00 / 2.57	2.00 / 2.57	2.00 / 2.57	2.00 / 2.57	2.00 / 2.57	2.00 / 2.57	
25 + 25 + 25 + 25 + 25 + 25 + 35	1.89 / 2.43	1.89 / 2.43	1.89 / 2.43	1.89 / 2.43	1.89 / 2.43	1.89 / 2.43	2.65 / 3.41	
25 + 25 + 25 + 25 + 25 + 25 + 50	1.75 / 2.25	1.75 / 2.25	1.75 / 2.25	1.75 / 2.25	1.75 / 2.25	1.75 / 2.25	3.50 / 4.50	
25 + 25 + 25 + 25 + 25 + 35 + 35	1.79 / 2.31	1.79 / 2.31	1.79 / 2.31	1.79 / 2.31	1.79 / 2.31	2.51 / 3.23	2.51 / 3.23	

Indoor unit combination	Cooling / Heating Capacity (kW)							
	Unit A	Unit B	Unit C	Unit D	Unit E	Unit F	Unit G	Unit H
8 ROOMS								
22 + 22 + 22 + 22 + 22 + 22 + 22 + 22	1.75 / 2.25	1.75 / 2.25	1.75 / 2.25	1.75 / 2.25	1.75 / 2.25	1.75 / 2.25	1.75 / 2.25	1.75 / 2.25
22 + 22 + 22 + 22 + 22 + 22 + 22 + 25	1.72 / 2.21	1.72 / 2.21	1.72 / 2.21	1.72 / 2.21	1.72 / 2.21	1.72 / 2.21	1.72 / 2.21	1.96 / 2.51
22 + 22 + 22 + 22 + 22 + 22 + 22 + 35	1.63 / 2.10	1.63 / 2.10	1.63 / 2.10	1.63 / 2.10	1.63 / 2.10	1.63 / 2.10	1.63 / 2.10	2.59 / 3.33
22 + 22 + 22 + 22 + 22 + 22 + 25 + 25	1.69 / 2.18	1.69 / 2.18	1.69 / 2.18	1.69 / 2.18	1.69 / 2.18	1.69 / 2.18	1.92 / 2.47	1.92 / 2.47
22 + 22 + 22 + 22 + 22 + 22 + 25 + 35	1.60 / 2.06	1.60 / 2.06	1.60 / 2.06	1.60 / 2.06	1.60 / 2.06	1.60 / 2.06	1.82 / 2.34	2.55 / 3.28
22 + 22 + 22 + 22 + 22 + 22 + 35 + 35	1.52 / 1.96	1.52 / 1.96	1.52 / 1.96	1.52 / 1.96	1.52 / 1.96	1.52 / 1.96	2.43 / 3.12	2.43 / 3.12
22 + 22 + 22 + 22 + 22 + 25 + 25 + 25	1.66 / 2.14	1.66 / 2.14	1.66 / 2.14	1.66 / 2.14	1.66 / 2.14	1.89 / 2.43	1.89 / 2.43	1.89 / 2.43
22 + 22 + 22 + 22 + 22 + 25 + 25 + 35	1.58 / 2.03	1.58 / 2.03	1.58 / 2.03	1.58 / 2.03	1.58 / 2.03	1.79 / 2.31	1.79 / 2.31	2.51 / 3.23
22 + 22 + 22 + 22 + 25 + 25 + 25 + 25	1.64 / 2.11	1.64 / 2.11	1.64 / 2.11	1.64 / 2.11	1.86 / 2.39	1.86 / 2.39	1.86 / 2.39	1.86 / 2.39
22 + 22 + 22 + 22 + 25 + 25 + 25 + 35	1.56 / 2.00	1.56 / 2.00	1.56 / 2.00	1.56 / 2.00	1.77 / 2.27	1.77 / 2.27	1.77 / 2.27	2.47 / 3.18
22 + 22 + 22 + 25 + 25 + 25 + 25 + 25	1.61 / 2.07	1.61 / 2.07	1.61 / 2.07	1.83 / 2.36	1.83 / 2.36	1.83 / 2.36	1.83 / 2.36	1.83 / 2.36
22 + 22 + 22 + 25 + 25 + 25 + 25 + 35	1.53 / 1.97	1.53 / 1.97	1.53 / 1.97	1.74 / 2.24	1.74 / 2.24	1.74 / 2.24	1.74 / 2.24	2.44 / 3.13
22 + 22 + 25 + 25 + 25 + 25 + 25 + 25	1.59 / 2.04	1.59 / 2.04	1.80 / 2.32	1.80 / 2.32	1.80 / 2.32	1.80 / 2.32	1.80 / 2.32	1.80 / 2.32
22 + 25 + 25 + 25 + 25 + 25 + 25 + 25	1.56 / 2.01	1.78 / 2.28	1.78 / 2.28	1.78 / 2.28	1.78 / 2.28	1.78 / 2.28	1.78 / 2.28	1.78 / 2.28
25 + 25 + 25 + 25 + 25 + 25 + 25 + 25	1.75 / 2.25	1.75 / 2.25	1.75 / 2.25	1.75 / 2.25	1.75 / 2.25	1.75 / 2.25	1.75 / 2.25	1.75 / 2.25