

MSZ-GE-VA Inverter Heat Pump

Wall Mounted System

The MSZ series has been completely redesigned and features the new Nano Platinum filter system.

These models offer industry leading noise levels as low as 19dBA and have a distinctively styled front panel that not only looks appealing, but also helps to make cleaning of the unit easier.



* Wide swing & long airflow mode available for MSZ-GE60/71VA * The anti-allergy enzyme filter is optional
* Nano Platinum filter available for MSZ-GE60/71VA, Catechin filter available for MSZ-GE22-50VA

Technical Information

MSZ-GE-VA - INDOOR UNITS

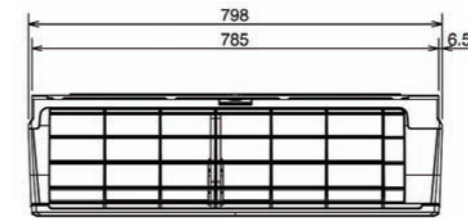
MODEL REFERENCE	MSZ-GE22VA	MSZ-GE25VA	MSZ-GE35VA	MSZ-GE50VA	MSZ-GE60VA	MSZ-GE71VA	
CAPACITY (kW)	Heating (nominal)	3.3 (0.9-4.0)	3.2 (1.3-4.5)	4.0 (1.6-5.3)	5.8 (1.4-7.3)	6.8 (2.0-9.3)	8.1 (2.2-9.9)
	Cooling (nominal)	2.2 (0.9-3.0)	2.5 (1.1-3.5)	3.5 (1.1-4.0)	5.0 (1.4-5.5)	6.0 (1.5-7.5)	7.1 (2.4-8.7)
	Heating (UK)	2.75 (0.75-3.3)	2.65 (1.1-3.75)	3.3 (1.35-4.4)	4.8 (1.15-6.05)	5.65 (1.65-7.75)	6.75 (1.85-8.25)
	Cooling (UK)	2.2 (0.9-3.0)	2.5 (1.1-3.45)	3.45 (1.1-3.95)	4.95 (1.4-5.45)	5.95 (1.5-7.45)	7.05 (2.4-8.65)
SHF (nominal & UK)	-	0.96	0.82	0.76	0.79	0.78	
COP / EER (nominal)	-	4.57 / 4.59	4.19 / 4.05	3.71 / 3.30	3.84 / 3.40	3.83 / 3.33	
ENERGY LABEL	Heating/Cooling A / A						
AIRFLOW (m ³ /min)	Heating - Sil-Lo-Mi-Hi-SupHi-SupHILP	4.1-4.6-6.6-9.1-11.5	4.1-4.8-6.6-9.1-11.5	4.1-4.8-6.7-9.1-11.5	6.5-7.8-9.6-12.2-14.5	9.8-11.3-13.4-15.6-18.3-20.7	10.2-11.5-13.3-15.4-17.8-19.4
	Cooling - Sil-Lo-Mi-Hi-SupHi-SupHILP	4.1-4.6-6.7-9.2-11.3	4.1-4.8-6.7-9.1-11.3	4.1-4.8-6.7-9.1-12.7	6.5-7.8-9.6-11.9-15.1	9.8-11.3-13.4-15.6-18.3-20.7	9.7-11.5-13.3-15.4-17.8-19.4
PIPE SIZE mm(in)	Gas	9.52 (3/8")	9.52 (3/8")	9.52 (3/8")	12.7 (1/2")	15.88 (5/8")	15.88 (5/8")
	Liquid	6.35 (1/4")	6.35 (1/4")	6.35 (1/4")	6.35 (1/4")	6.35 (1/4")	9.52 (3/8")
NOISE (dBA)	Heating - Sil-Lo-Mi-Hi-SupHi-SupHILP	19-21-29-36-42	19-21-29-36-42	19-22-30-36-42	28-33-37-43-48	29-37-41-45-49-52	30-37-41-45-49-52
	Cooling - Sil-Lo-Mi-Hi-SupHi-SupHILP	19-21-29-36-42	19-21-29-36-42	19-22-30-36-43	28-33-38-44-49	29-37-41-45-49-52	30-37-41-45-49-53
DIMENSIONS (mm)	Width	798	798	798	798	1100	1100
	Depth	232	232	232	232	238	238
	Height	295	295	295	295	325	325
WEIGHT (kg)	10	10	10	10	16	16	
ELECTRICAL SUPPLY	Fed by Outdoor Unit Fed by Outdoor Unit Fed by Outdoor Unit Fed by Outdoor Unit Fed by Outdoor Unit Fed by Outdoor Unit						
PHASE	Single Single Single Single Single Single						
FUSE RATING (BS88) - HRC (A)	6 6 6 6 6 6						
INTERCONNECTING CABLE No. CORES	4 4 4 4 4 4						

MUZ-GE-VA - OUTDOOR UNITS

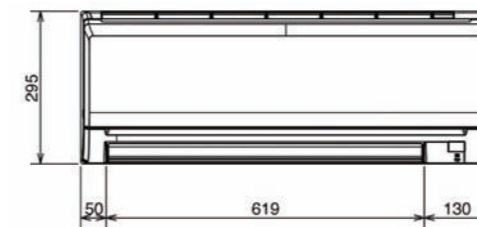
MODEL REFERENCE	N/A Multi-Split Only	MUZ-GE25VA	MUZ-GE35VA	MUZ-GE50VA	MUZ-GE60VA	MUZ-GE71VA	
NOISE (dBA)	Heating/Cooling -	48 / 47	48 / 47	56 / 54	55 / 55	55 / 55	
WEIGHT (kg)	-	30	33	54	50	53	
DIMENSIONS (mm)	Width	800	800	840	840	840	
	Depth	285	285	330	330	330	
	Height	550	550	850	880	880	
ELECTRICAL SUPPLY	-	220-240v, 50Hz		220-240v, 50Hz	220-240v, 50Hz	220-240v, 50Hz	
SYSTEM POWER INPUT (kW)	Heating/Cooling (nominal)	-	0.70 / 0.545	0.955 / 0.865	1.565 / 1.515	1.77 / 1.76	2.11 / 2.13
	Heating/Cooling (UK)	-	0.637 / 0.436	0.869 / 0.692	1.424 / 1.212	1.611 / 1.408	1.92 / 1.704
STARTING CURRENT (A)	-	3.7	4.6	7.0	7.9	9.4	
SYSTEM RUNNING CURRENT (A) [MAX] Heating/Cooling	-	3.7 / 2.9 [7.4]	4.6 / 4.2 [8.6]	7.0 / 6.8 [13]	7.9 / 7.8 [14.5]	9.4 / 9.3 [16.6]	
FUSE RATING (BS88) - HRC (A)	-	10	10	16	16	20	
MAINS CABLE No. CORES	-	3	3	3	3	3	
MAX PIPE LENGTH (m)	-	20	20	30	30	30	
MAX HEIGHT DIFFERENCE (m)	-	12	12	15	15	15	
CHARGE R410A (kg) - 7m	-	0.8	1.15	1.55	1.55	1.9	

INDOOR UNIT MSZ-GE22-50VA

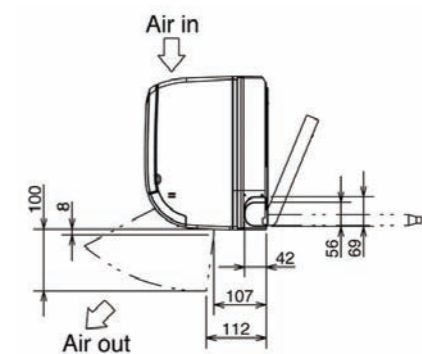
Upper View >



Front View >

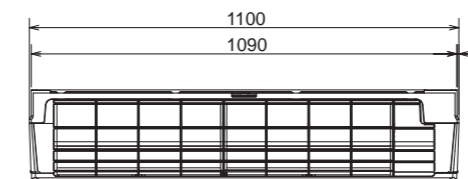


Side View >

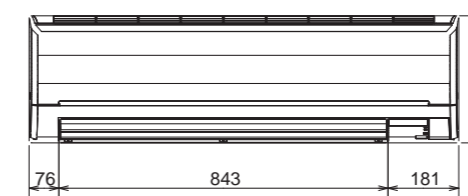


INDOOR UNIT MSZ-GE60/71VA

Upper View >



Front View >



Side View >

