

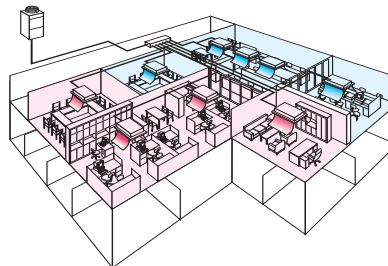
# R2 Series Standard (10-16hp)

## Simultaneous Heating and Cooling with Heat Recovery Outdoor Unit

### Improved for even higher efficiency

Throughout the year, many buildings require cooling in some areas and heating in others - even in adjacent rooms. The outstanding City Multi R2 system meets this requirement by distributing surplus heat from cooling operations (and vice versa) to rooms where it is needed. This efficiency can result in energy savings of up to 30% over conventional systems.

- New higher efficiency inverter technology, with low start currents and wrap around coil for added efficiency
- Up to 40 indoor units connected to each outdoor unit
- Easy to install unique 2-pipe technology means minimal disruption, quicker installation and less connections than a 3 pipe equivalents
- Weight and size reduction compared to previous YGM-A models
- Improved pipe run of 165m with a total system pipe length of up to 600m
- 100% inverter control
- High Sensible Cooling Function - By raising the off coil temperature, a 10% increase in sensible cooling capacity over standard operation is achievable, the result being greater comfort for occupants



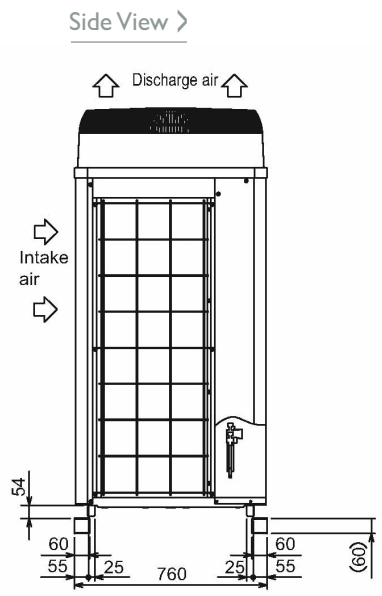
### Technical Information

#### R2 SERIES STANDARD OUTDOOR UNIT 10-16hp

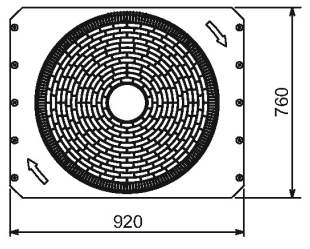
MODEL REFERENCE		PURY-P250YHM-A	PURY-P300YHM-A	PURY-P350YHM-A	PURY-P400YHM-A
CAPACITY (kW)	Heating (nominal)	31.5	37.5	45.0	50.0
	Cooling (nominal)	28.0	33.5	40.0	45.0
	Heating (UK)	28.7	33.0	39.6	44.0
	Cooling (UK)	26.6	31.5	37.6	42.3
POWER INPUT (kW)	Heating (nominal)	7.83	9.58	12.47	13.71
	Cooling (nominal)	7.73	9.25	12.47	13.74
	Heating (UK)	7.75	9.29	12.10	13.30
	Cooling (UK)	4.79	6.85	9.23	10.17
COP/EER (nominal)		4.02 / 3.62	3.91 / 3.62	3.60 / 3.20	3.64 / 3.27
MAX No. OF CONNECTABLE INDOOR UNITS		25	30	35	40
AIRFLOW (m3/min)	High	185	185	225	225
NOISE (dBA)		57	59	60	61
WEIGHT (kg)		235	240	265	265
DIMENSIONS (mm)	Width	920	920	1220	1220
	Depth	760	760	760	760
	(1650mm without legs) Height	1710	1710	1710	1710
ELECTRICAL SUPPLY		380-415v, 50Hz	380-415v, 50Hz	380-415v, 50Hz	380-415v, 50Hz
PHASE		3	3	3	3
STARTING CURRENT (A)		8	8	8	8
RUNNING CURRENT (A)	Heating	12.1	14.8	19.2	21.1
	Cooling	11.9	14.2	19.2	21.2
FUSE RATING (MCB sizes BS EN 60947-2) - (A)		20	25	32	40
MAINS CABLE No. Cores		4 + earth	4 + earth	4 + earth	4 + earth

Note: For piping restrictions for PURY-P250-400YHM-A please see page 156

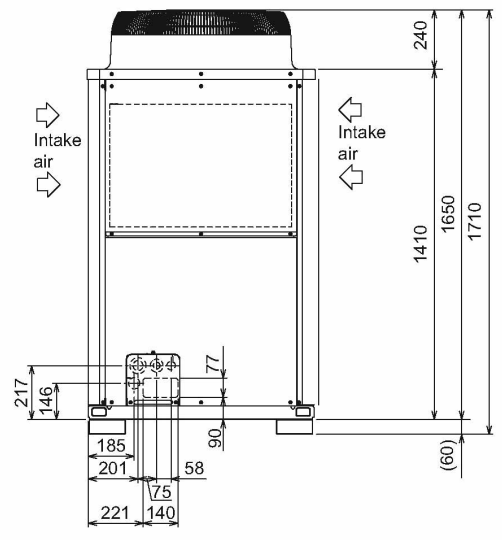
**PURY-P250, 300YHM-A**



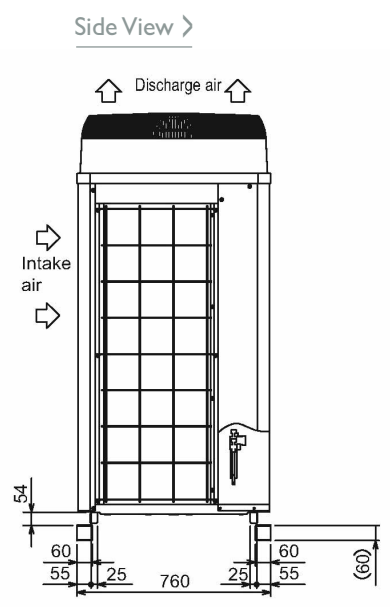
Upper View >



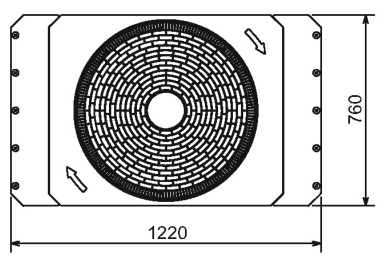
Front View >



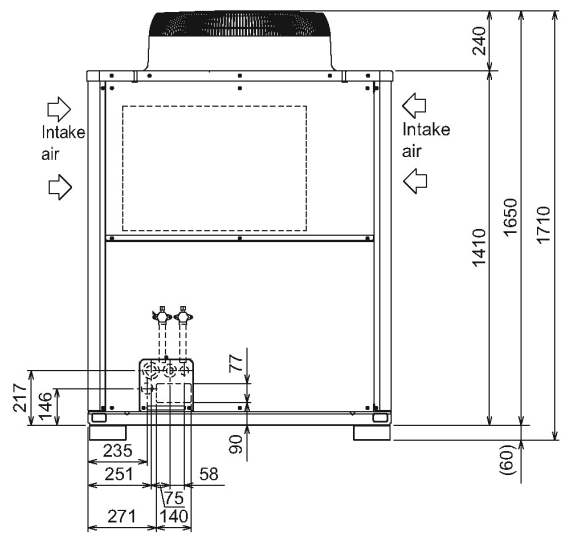
**PURY-P350, 400YHM-A**



Upper View >



Front View >



# R2 Series Standard (20-32hp)

Simultaneous Heating and Cooling with Heat Recovery Outdoor Unit

## Improved for even higher efficiency

Throughout the year, many buildings require cooling in some areas and heating in others - even in adjacent rooms. The outstanding City Multi R2 system meets this requirement by distributing surplus heat from cooling operations (and vice versa) to rooms where it is needed. This efficiency can result in energy savings of up to 30% over conventional systems.

- New higher efficiency inverter technology, with low start currents and wrap around coil for added efficiency
- Up to 50 indoor units connected to each outdoor unit
- Easy to install unique 2-pipe technology means minimal disruption, quicker installation and less connections than a 3 pipe equivalents
- Weight and size reduction compared to previous YGM-A models
- Improved pipe run of 165m with a total system pipe length of up to 950m
- 100% inverter control
- High Sensible Cooling Function - By raising the off coil temperature, a 10% increase in sensible cooling capacity over standard operation is achievable, the result being greater comfort for occupants



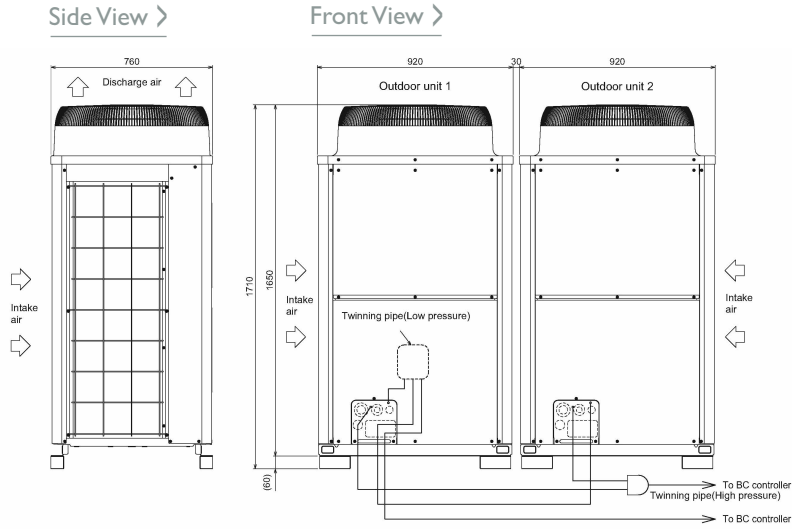
Technical Information

### R2 SERIES STANDARD OUTDOOR UNIT 20-32hp

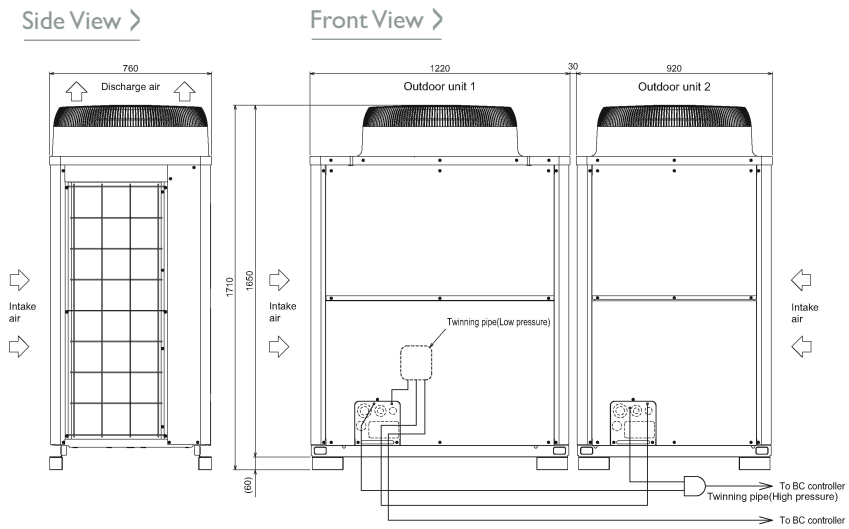
MODEL REFERENCE		PURY-P500YSHM-A	PURY-P550YSHM-A	PURY-P600YSHM-A	PURY-P650YSHM-A	PURY-P700YSHM-A	PURY-P750YSHM-A	PURY-P800YSHM-A
CAPACITY (kW)	Heating (nominal)	63.0	69.0	76.5	81.5	88.0	95.0	100.0
	Cooling (nominal)	56.0	63.0	69.0	73.0	80.0	85.0	90.0
	Heating (UK)	54.8	60.0	66.6	70.9	75.7	81.7	86.0
	Cooling (UK)	51.5	58.0	63.5	67.2	73.6	78.2	82.8
POWER INPUT (kW)	Heating (nominal)	16.79	18.81	20.83	22.55	24.30	26.36	27.64
	Cooling (nominal)	16.75	18.68	19.64	22.80	24.72	27.86	29.75
	Heating (UK)	15.28	17.12	18.96	20.52	22.60	24.51	25.71
	Cooling (UK)	11.73	13.08	13.75	15.96	17.80	20.06	21.42
COP/EER (nominal)		3.75 / 3.34	3.66 / 3.37	3.67 / 3.51	3.61 / 3.20	3.62 / 3.23	3.60 / 3.05	3.61 / 3.02
MAX No. OF CONNECTABLE INDOOR UNITS		50	50	50	50	50	50	50
AIRFLOW (m3/min)	High	185 / 185	185 / 185	185 / 185	225 / 185	225 / 185	225 / 225	225 / 225
NOISE (dBA)		60	61	62	62.5	63	63.5	64
WEIGHT (kg)		235 + 235	240 + 235	240 + 240	265 + 240	265 + 240	265 + 265	265 + 265
DIMENSIONS (mm)	Width	920 + 920	920 + 920	920 + 920	1220 + 920	1220 + 920	1220 + 1220	1220 + 1220
	Depth	760	760	760	760	760	760	760
	Height (1650mm without legs)	1710	1710	1710	1710	1710	1710	1710
ELECTRICAL SUPPLY		380-415v, 50Hz	380-415v, 50Hz	380-415v, 50Hz	380-415v, 50Hz	380-415v, 50Hz	380-415v, 50Hz	380-415v, 50Hz
PHASE		3	3	3	3	3	3	3
STARTING CURRENT (A)		8 / 8	8 / 8	8 / 8	8 / 8	8 / 8	8 / 8	8 / 8
RUNNING CURRENT (A)	Heating	25.9	29.0	32.1	34.8	37.5	40.7	42.7
	Cooling	25.8	28.8	30.3	35.2	38.2	43.0	45.9
FUSE RATING (MCB sizes BS EN 60947-2) - (A)		20 / 20	25 / 20	25 / 25	32 / 25	40 / 25	40 / 32	40 / 40
MAINS CABLE No. Cores		4 + earth	4 + earth	4 + earth	4 + earth	4 + earth	4 + earth	4 + earth

Note: For piping restrictions for PURY-P500-800YSHM-A please see page 156

### PURY-P500, 550, 600YSHM-A



### PURY-P650, 700YSHM-A



### PURY-P750, 800YSHM-A

