

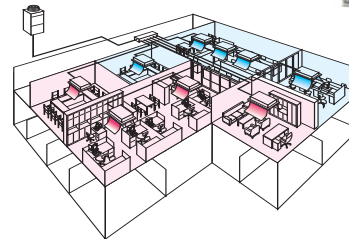
R2 Series High COP (8-24hp)

Simultaneous Heating and Cooling with Heat Recovery Outdoor Unit

Improved for even higher efficiency

Throughout the year, many buildings require cooling in some areas and heating in others - even in adjacent rooms. The outstanding City Multi R2 system meets this requirement by distributing surplus heat from cooling operations (and vice versa) to rooms where it is needed. This efficiency can result in energy savings of up to 30% over conventional systems.

- New size 250 model
- Highest ever COP's / EER's due to new high efficiency inverter technology and wrap around coil for added efficiency
- Up to 50 indoor units connected to each outdoor unit
- Easy to install unique 2-pipe technology means minimal disruption, quicker installation and less connections than a 3 pipe equivalents
- Weight and size reduction compared to previous YGM-A models
- Improved pipe run of 165m with a total system pipe length of up to 800m
- 100% inverter control with low start currents
- High Sensible Cooling Function - By raising the off coil temperature, a 10% increase in sensible cooling capacity over standard operation is achievable, the result being greater comfort for occupants



Technical Information

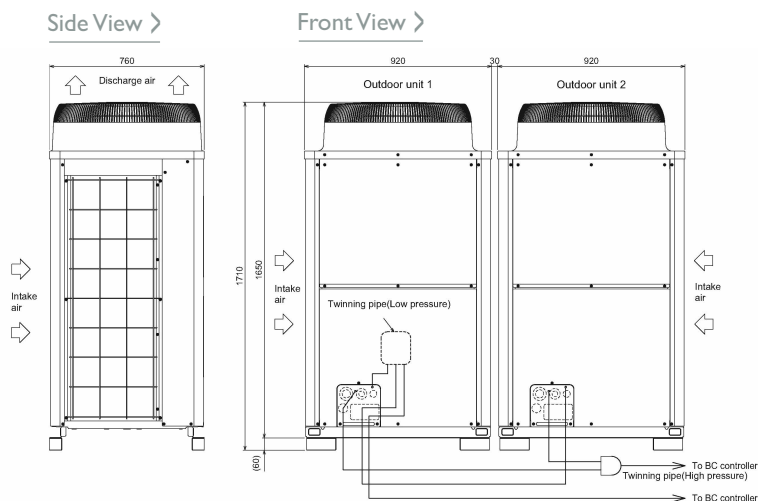
R2 SERIES HIGH COP OUTDOOR UNIT 8-24hp		PURY-EP200YHM-A	PURY-EP250YHM-A	PURY-EP300YHM-A	PURY-EP400YSHM-A	PURY-EP450YSHM-A1	PURY-EP500YSHM-A	PURY-EP550YSHM-A1	PURY-EP600YSHM-A
CAPACITY (kW)	Heating (nominal)	25.0	31.5	37.5	50.0	56.0	63.0	69.0	76.5
	Cooling (nominal)	22.4	28.0	33.5	45.0	50.0	56.0	63.0	69.0
	Heating (UK)	23.0	28.7	33.0	44.0	48.7	54.8	60.0	66.6
	Cooling (UK)	21.3	26.6	31.5	42.3	46.0	51.5	58.0	63.5
POWER INPUT (kW)	Heating (nominal)	5.81	7.60	9.37	11.73	13.23	15.33	16.95	19.12
	Cooling (nominal)	5.23	6.86	8.33	10.57	12.07	13.70	15.47	17.00
	Heating (UK)	5.75	7.52	9.09	11.38	12.04	13.95	15.43	17.40
	Cooling (UK)	3.24	4.25	6.16	7.82	8.45	9.59	10.83	11.90
COP/EER (nominal)	4.30 / 4.28	4.14 / 4.08	4.00 / 4.02	4.26 / 4.25	4.23 / 4.14	4.10 / 4.08	4.07 / 4.07	4.00 / 4.05	
MAX No. OF CONNECTABLE INDOOR UNITS		20	25	30	40	45	50	50	50
AIRFLOW (m3/min)	High	185	225	225	185 / 185	225 / 185	225 / 185	225 / 225	225 / 225
NOISE (dBA)		57	60	60	60	62	62	63	63
WEIGHT (kg)		235	265	265	235 + 235	265 + 235	265 + 235	265 + 265	265 + 265
DIMENSIONS (mm)	Width	920	1220	1220	920 + 920	1220 + 920	1220 + 920	1220 + 1220	1220 + 1220
	Depth	760	760	760	760	760	760	760	760
	(1650mm without legs) Height	1710	1710	1710	1710	1710	1710	1710	1710
ELECTRICAL SUPPLY		380-415v, 50Hz	380-415v, 50Hz	380-415v, 50Hz	380-415v, 50Hz	380-415v, 50Hz	380-415v, 50Hz	380-415v, 50Hz	380-415v, 50Hz
PHASE		3	3	3	3	3	3	3	3
STARTING CURRENT (A)		8	8	8	8 / 8	8 / 8	8 / 8	8 / 8	8 / 8
RUNNING CURRENT (A)	Heating	8.9	11.7	14.4	18.1	20.4	23.6	26.2	29.5
	Cooling	8.0	10.6	12.8	16.3	18.6	21.1	23.9	26.2
FUSE RATING (MCB sizes BS EN 60947-2) - (A)		20	20	25	20 / 20	20 / 20	25 / 20	25 / 20	25 / 25
MAINS CABLE No. Cores		4 + earth	4 + earth	4 + earth	4 + earth	4 + earth	4 + earth	4 + earth	4 + earth

Note: For piping restrictions for PURY-EP200-600Y(S)HM-A please see page 156

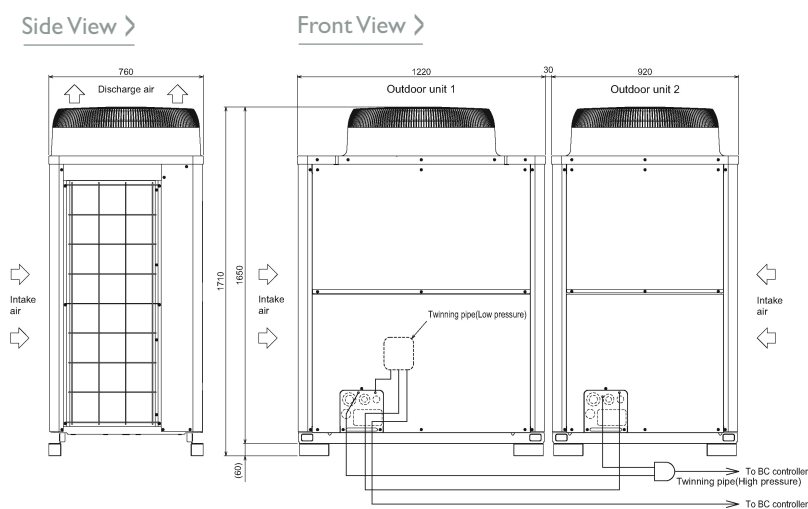
PURY-EP200, 250, 300YHM-A

PURY-EP200YHM-A schematic is the same as PURY-P250, 300YHM-A on page 151
 PURY-EP250, 300YHM-A schematic is the same as PURY-P350, 400YHM-A on page 151

PURY-EP400YSHM-A



PURY-EP450, 500YSHM-A(1)



PURY-EP550, 600YSHM-A(1)

