

PFFY-P-VLRMM-E

Floor Standing Concealed Indoor Unit

A compact concealed unit providing simple, effective air conditioning in perimeter zones. The unit is easy to install and at only 220mm deep offers an unobtrusive method of delivering highly efficient air-conditioning performance.

- Reduced noise levels compared to the PFFY-P-VLRM-E version
- Cooling operation set temperature can be set down to 14°C db
- Static pressure. The new unit has 3 static pressure settings - 20/40/60Pa ideal for ducting in the perimeter zone
- Concealed unit for hidden installation. The unit can be hidden behind a wardrobe in a hotel, then ducted above and below the wardrobe doors. This offers lower noise, less disruption and a low visual impact



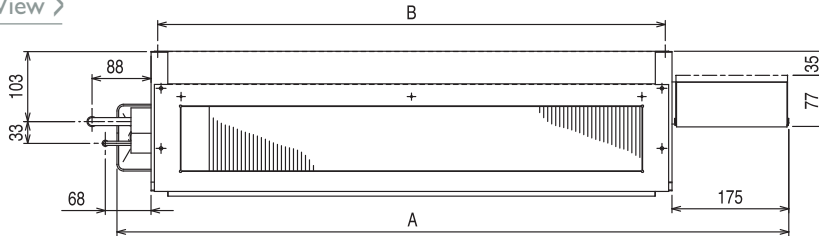
Technical Information

PFFY-P-VLRMM-E - INDOOR UNIT

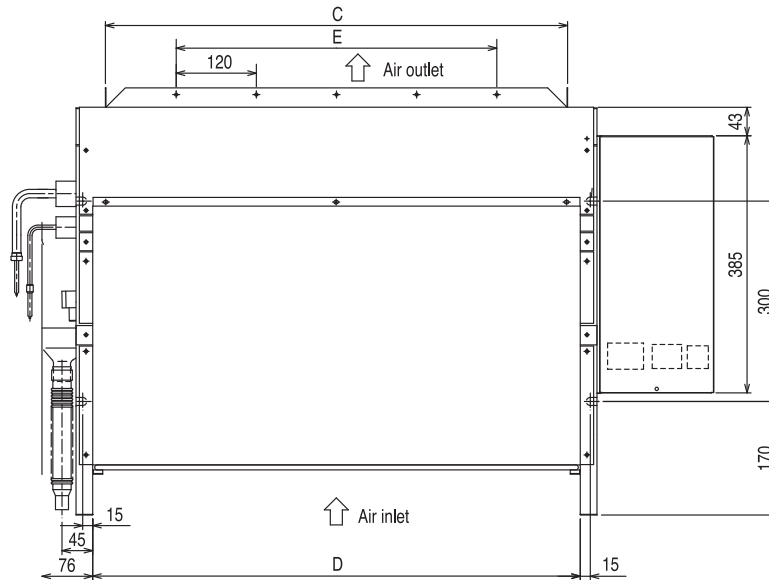
MODEL REFERENCE		PFFY-P20VLRMM-E	PFFY-P25VLRMM-E	PFFY-P32VLRMM-E	PFFY-P40VLRMM-E	PFFY-P50VLRMM-E	PFFY-P63VLRMM-E
CAPACITY (kW)	Heating (nominal)	2.5	3.2	4.0	5.0	6.3	8.0
	Cooling (nominal)	2.2	2.8	3.6	4.5	5.6	7.1
	Heating (UK)	2.3	3.0	3.7	4.6	5.8	7.4
	Cooling (UK)	2.0	2.5	3.2	4.0	5.0	6.3
High Sensible	Cooling (UK)	1.6	2.0	2.6	3.3	4.1	5.2
SHF	(UK)	0.80	0.76	0.75	0.75	0.76	0.73
High Sensible	(UK)	0.88	0.80	0.81	0.79	0.80	0.79
POWER INPUT (kW)	Heating (nominal)	0.04	0.04	0.04	0.05	0.05	0.07
	Cooling (nominal)	0.04	0.04	0.04	0.05	0.05	0.07
AIRFLOW (m3/min)	Lo-Mi-Hi	4.5-5.5-6.5	4.5-5.5-6.5	6.5-7.5-9	8-9.5-11	10-12-14	11-13-15.5
EXTERNAL STATIC PRESSURE (Pa)	Lo-Mi-Hi	20-40-60	20-40-60	20-40-60	20-40-60	20-40-60	20-40-60
NOISE (dBA) (20Pa)	Lo-Mi-Hi	31-36-40	31-36-40	27-32-37	30-36-40	32-37-41	35-40-44
WEIGHT (kg)		18.5	18.5	20	21	25	27
DIMENSIONS (mm)	Width	886	886	1006	1006	1246	1246
	Depth	220	220	220	220	220	220
	Height	639	639	639	639	639	639
ELECTRICAL SUPPLY		220-240v, 50Hz	220-240v, 50Hz	220-240v, 50Hz	220-240v, 50Hz	220-240v, 50Hz	220-240v, 50Hz
PHASE		Single	Single	Single	Single	Single	Single
RUNNING CURRENT (A)	Heating	0.34	0.34	0.38	0.43	0.48	0.59
	Cooling	0.34	0.34	0.38	0.43	0.48	0.59
FUSE RATING (BS88) - HRC (A)		6	6	6	6	6	6
MAINS CABLE No. Cores		3	3	3	3	3	3

PFFY-P20, 25, 32, 40, 50, 63VLRMM-E

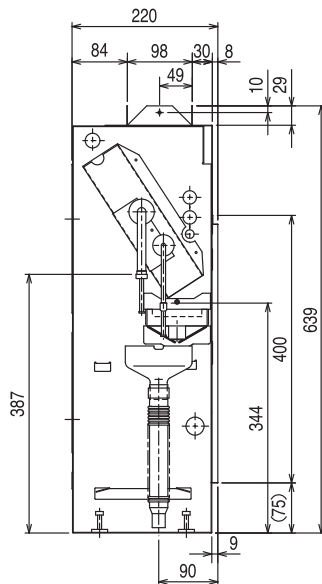
Upper View >



Front View >



Side View >



Model	A	B	C	D	E
PFFY-P20VLRMM-E	886	640	572	610	360
PFFY-P25VLRMM-E	1006	760	692	730	480
PFFY-P32VLRMM-E	1246	1000	932	970	720
PFFY-P40VLRMM-E					
PFFY-P50VLRMM-E					
PFFY-P63VLRMM-E					