

# PEFY-P-VMS1-E

## Ultra Thin Ceiling Concealed Ducted Indoor Unit

The ultra thin ceiling concealed ducted indoor unit offers increased flexibility and is particularly suitable for places where low noise operation is desired from a slimline body.

- Ultra thin body - height of only 200mm & width of only 790mm (P15-32)
- Extremely quiet operation - as low as 22dBA
- Cooling operation set temperature can be set down to 14°C db
- Static pressure of 5-50Pa
- Now available in a size 15, ideal for hotel rooms



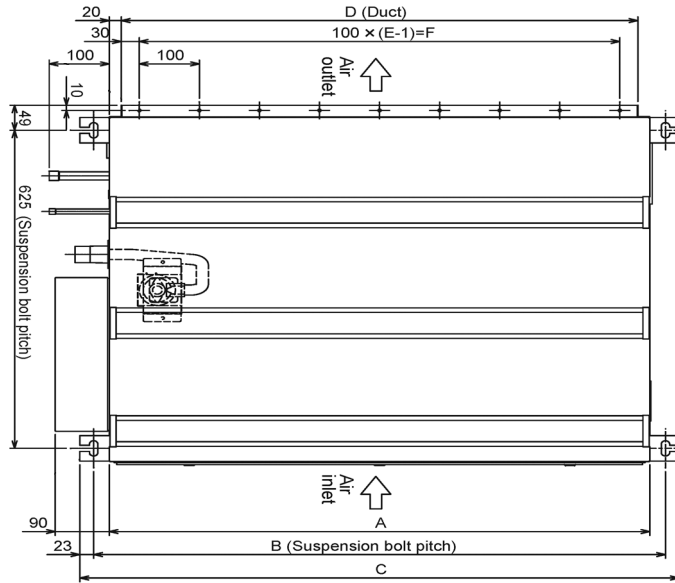
### Technical Information

#### PEFY-P-VMS1-E - INDOOR UNIT

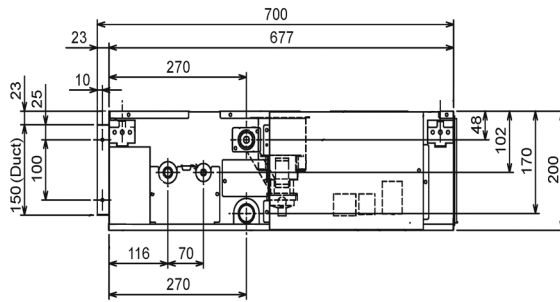
MODEL REFERENCE		PEFY-P15VMS1-E	PEFY-P20VMS1-E	PEFY-P25VMS1-E	PEFY-P32VMS1-E	PEFY-P40VMS1-E	PEFY-P50VMS1-E	PEFY-P63VMS1-E
CAPACITY (kW)	Heating (nominal)	1.9	2.5	3.2	4.0	5.0	6.3	8.0
	Cooling (nominal)	1.7	2.2	2.8	3.6	4.5	5.6	7.1
	Heating (UK)	1.8	2.3	3.0	3.7	4.6	5.8	7.4
	Cooling (UK)	1.5	2.0	2.5	3.2	4.0	5.0	6.3
High Sensible	Cooling (UK)	1.2	1.6	2.0	2.6	3.3	4.1	5.2
SHF	(UK)	0.93	0.85	0.84	0.78	0.75	0.74	0.75
High Sensible	(UK)	1.00	1.00	0.90	0.85	0.82	0.78	0.79
POWER INPUT (kW)	Heating (nominal)	0.03	0.03	0.04	0.05	0.05	0.07	0.07
	Cooling (nominal)	0.05	0.05	0.06	0.07	0.07	0.09	0.09
AIRFLOW (m3/min)	Lo-Mi-Hi	5.0-6.0-7.0	5.5-6.5-8.0	5.5-7.0-9.0	6.0-8.0-10.0	8.0-9.5-11.0	9.5-11.0-13.0	12.0-14.0-16.5
EXTERNAL STATIC PRESSURE (Pa)	Lo-Mi1-Mi2-Hi	5-15-35-50	5-15-35-50	5-15-35-50	5-15-35-50	5-15-35-50	5-15-35-50	5-15-35-50
NOISE (dBA) (15Pa)	Lo-Mi-Hi	22-24-28	22-25-29	24-26-30	24-27-32	28-30-33	30-32-35	30-33-36
WEIGHT (kg)		19	19	19	20	24	24	28
DIMENSIONS (mm)	Width	790	790	790	790	990	990	1190
	Depth	700	700	700	700	700	700	700
	Height	200	200	200	200	200	200	200
ELECTRICAL SUPPLY		220-240v, 50Hz	220-240v, 50Hz	220-240v, 50Hz	220-240v, 50Hz	220-240v, 50Hz	220-240v, 50Hz	220-240v, 50Hz
PHASE		Single	Single	Single	Single	Single	Single	Single
RUNNING CURRENT (A)	Heating	0.31	0.36	0.39	0.39	0.45	0.56	0.61
	Cooling	0.42	0.47	0.50	0.50	0.56	0.67	0.72
FUSE RATING (BS88) - HRC (A)		6	6	6	6	6	6	6
MAINS CABLE No. Cores		3	3	3	3	3	3	3

PEFY-P 15, 20, 25, 32, 40, 50, 63 VMS1-E

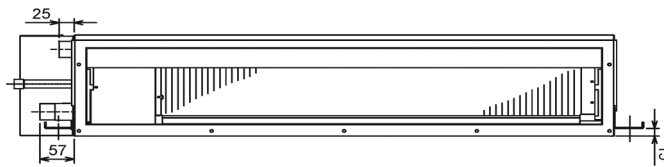
Upper View >



Side View >



Front View >



Model	A	B	C	D	E	F
PEFY-P15-32VMS1-E	700	752	798	660	7	600
PEFY-P40-50VMS1-E	900	952	998	860	9	800
PEFY-P63VMS1-E	1100	1152	1198	1060	11	1000