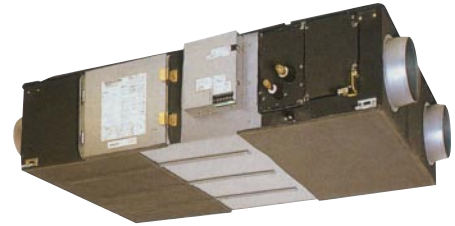


GUF-RD3

Lossnay Outdoor Air Processing Indoor Unit

The GUF-50RD3 and GUF-100RD3 outdoor air processing units can be used with any of the extensive range of City Multi indoor units to provide ventilation, dust removal, humidification and heat recovery.

- A combination of a Lossnay & City Multi indoor in a single unit
- Air temperature in any room can be adjusted to the desired temperature via this unit which is used as an indoor unit of the City Multi air conditioning system
- The ventilating and air conditioning functions are integrated in a single unit, saving space and installation costs
- Heat recovery helps to save energy - a benefit that's not only good for the environment, but also great for cutting energy costs
- Free cooling is also available should outdoor conditions be suitable



Technical Information

OUTDOOR AIR PROCESSING INDOOR UNIT

MODEL REFERENCE		GUF-50RD3	GUF-100RD3
CAPACITY (kW)	Heating (nominal)	6.42 (2.25)	13.00 (4.70)
	Cooling (nominal)	5.29 (1.66)	10.81 (3.49)
	Heating (UK)	5.93 (2.08)	12.01 (4.34)
	Cooling (UK)	5.03 (1.58)	10.27 (3.32)
POWER INPUT (kW)		0.265	0.505
AIRFLOW (m3/h)	Lo-Hi	400-500	800-1000
NOISE (dBA)	Lo-Hi	29.5-34.5	34-39
WEIGHT (kg)		54	92
DIMENSIONS (mm)	Width	1016	1231
	Depth	1288	1580
	Height	317	398
ELECTRICAL SUPPLY		220-240v, 50Hz	220-240v, 50Hz
PHASE		Single	Single
RUNNING CURRENT (A)	Lo-Hi	0.70-1.15	1.73-2.20
FUSE RATING (BS88) - HRC (A)		6	6
MAINS CABLE No. Cores		3	3

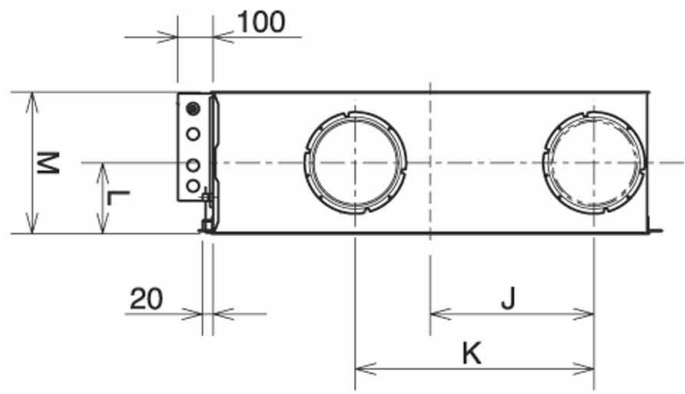
Attention

1. **Nominal Condition:**
Cooling/Heating capacity indicates the value of operation under the following air condition and above air volume.
Cooling: Indoor 27°C DB/19.5°C WB, Outdoor 35°C DB/24°C WB.
Heating: Indoor 21°C DB/14.6°C WB, Outdoor 7°C DB/6°C WB.
2. **UK Condition:**
Summer: Indoor 21°C, Outdoor 27°C
Winter: Indoor 21°C, Outdoor -1°CWB
3. The figures in () indicates the heat recovery at Lossnay core.
4. The current, input and efficiency are based on the above air volume.
5. The air nozzle noise (45° angle 1.5m ahead) is about 6dB greater than the indicated value. (High notch).
6. Specifications may be subject to change without notice.

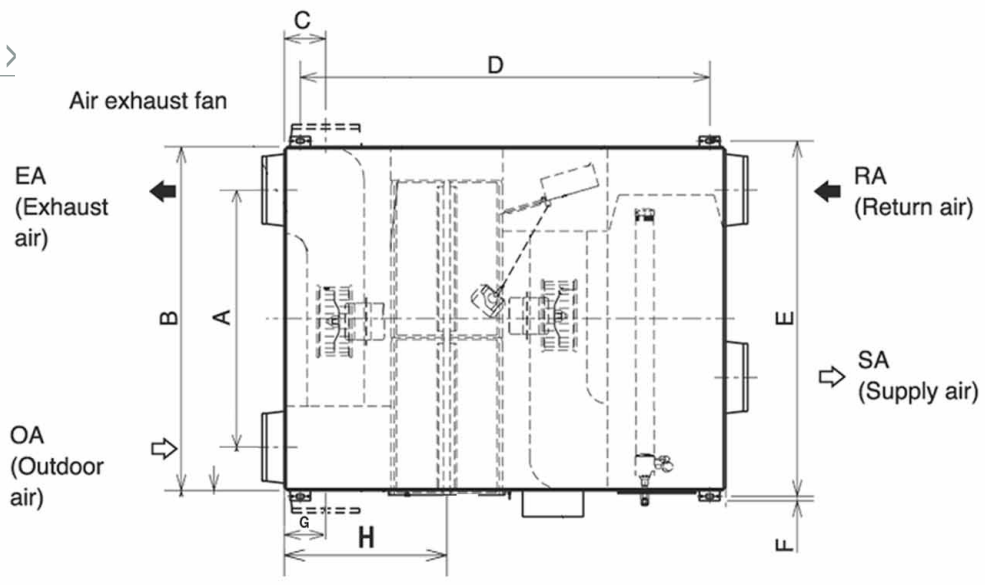


GUF-50/100RD3

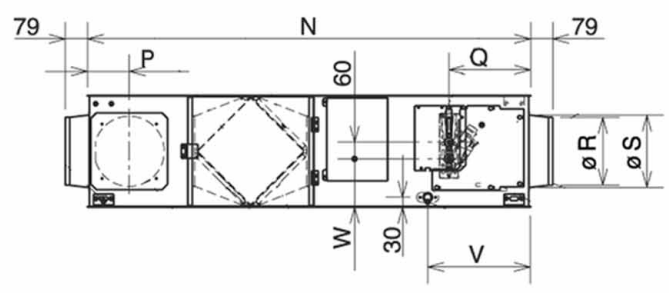
Side View >



Upper View >



Front View >



Model	A	B	C	D	E	F	G	H	J	K	L
GUF-50RD3	745	1,016	124	1,185	1,048	22	124	450	372.5	435	158.5
GUF-100RD3	920	1,231	149	1,465	1,271	16	149	600	460	670	199
Model	M	N	P	Q	R	S	V	W			
GUF-50RD3	317	1,288	124	266	192	208	347	135			
GUF-100RD3	398	1,580	149	280	242	258	361	169			