

# LGH-RX5-E

## Commercial Series

This commercially orientated system can be utilised virtually anywhere.

- Effective fresh air ventilation
- High heat recovery
- Free cooling function
- Good sound attenuation
- New “Hyper Eco Core”. At only 25µm the Lossnay core uses the thinnest paper in the world to achieve high enthalpy exchange efficiency



### Technical Information

MODEL REFERENCE		COMMERCIAL LGH-15RX5-E	COMMERCIAL LGH-25RX5-E	COMMERCIAL LGH-35RX5-E	COMMERCIAL LGH-50RX5-E	COMMERCIAL LGH-65RX5-E	COMMERCIAL LGH-80RX5-E	COMMERCIAL LGH-100RX5-E	COMMERCIAL LGH-150RX5-E	COMMERCIAL LGH-200RX5-E	
ELECTRICAL POWER SUPPLY		220-240V, 50Hz	220-240V, 50Hz	220-240V, 50Hz	220-240V, 50Hz	220-240V, 50Hz	220-240V, 50Hz	220-240V, 50Hz	220-240V, 50Hz	220-240V, 50Hz	
STARTING CURRENT (A)		0.8	0.9	2.4	3.0	4.4	3.8	4.6	7.3	11.9	
RUNNING CURRENT (A)	Extra Low	0.15	0.18	0.30	0.40	0.60	0.65	0.90	-	-	
	Low	0.25	0.27	0.51	0.85	1.20	1.45	1.70	2.90	3.40	
	High	0.38	0.48	0.74	1.00	1.50	1.60	2.10	3.20	4.20	
	Extra High	0.46	0.55	0.92	1.25	1.80	1.75	2.40	3.50	4.80	
INPUT POWER (W)	Extra Low	35	42	69	95	140	145	200	-	-	
	Low	59	62	116	190	265	340	380	680	785	
	High	90	114	169	228	322	370	475	740	980	
	Extra High	110	129	212	286	380	415	535	830	1100	
AIRFLOW (m³/h)	Extra Low	70	105	115	180	265	355	415	-	-	
	Low	110	155	210	390	520	700	755	1300	1580	
	High / Extra High	150	250	350	500	650	800	1000	1500	2000	
AIRFLOW (l/s)	Extra Low	19	29	32	50	74	99	115	-	-	
	Low	31	43	58	108	144	194	210	361	439	
	High / Extra High	42	69	97	139	181	222	278	417	556	
EXTERNAL STATIC PRESSURE (Pa)	Extra Low	14	9	9	10	8	20	18	-	-	
	Low	40	25	30	60	50	95	60	100	65	
	High	70	60	80	90	80	120	110	135	105	
	Extra High	105	85	160	155	120	150	170	175	165	
NOISE (dBA)	Lossnay	Extra Low	18	19	18	19	22	22	22	-	-
		Low	23.5	21.5	23	28	31.5	31	32.5	35	34
		High	27	26	29.5	32	33	33	35	37.5	38
		Extra High	28	27	32	34	34.5	34.5	37	39	40
	Bypass	Extra Low	19	19	18	19	22.5	22	22	-	-
		Low	24	22	24	29	30.5	32	33	37	35
		High	28	26.5	30.5	32.5	33.5	34	36	39	39
		Extra High	29	27.5	32.5	35	35	35.5	38	40.5	41
TEMPERATURE EXCHANGE EFFICIENCY (%)	Extra Low	85.5	83.5	88	86	86	87.5	87	-	-	
	Low	84	81.5	85	81	80	80.5	83	81	83	
	High	82	79	80	78	77	79	80	80	80	
	Extra High	82	79	80	78	77	79	80	80	80	
ENTHALPY EXCHANGE EFFICIENCY (%)	Heating	Extra Low	81	77.5	81.5	78	78	79.5	80	-	-
		Low	77.5	74	76.5	71	70.5	72.5	74	72.5	73.5
		High / Extra High	75	69.5	71.5	69	68.5	71	72.5	72	72.5
	Cooling	Extra Low	81	76	81	77	77	79.5	79	-	-
		Low	76.5	72.5	75.5	68	68.5	71.5	73	71.5	72
		High / Extra High	73	68	71	66.5	66	70	71	70.5	71
WEIGHT (kg)		20	20	29	32	40	53	59	105	118	
DIMENSIONS (mm)	Width	735	735	874	1016	954	1004	1231	1004	1231	
	Depth	780	780	888	888	908	1144	1144	1144	1144	
	Height	273	273	315	315	386	399	399	798	798	
DUCT SIZE (mm)		100	150	150	200	200	250	250	(SARA)250 (QAEA)270x700	(SARA)250 (QAEA)270x700	
STANDARD FILTER*1		EU-G3	EU-G3	EU-G3	EU-G3	EU-G3	EU-G3	EU-G3	EU-G3	EU-G3	
FUSE RATING (BS88) – HRC (A)		6	6	6	6	6	6	6	10	16	
MAINS CABLE NO. CORES		3	3	3	3	3	3	3	3	3	

Notes: Running Current, Input Power and Recovery Efficiency are based on the above airflow rate, power supply 240v, 50Hz. Extra High and High mode available via dip switch setting. Extra Low mode not available on sizes 150 and 200. Noise measured at 1.5m under the centre of panel.

\*1: EU-F7 filter available as optional parts.

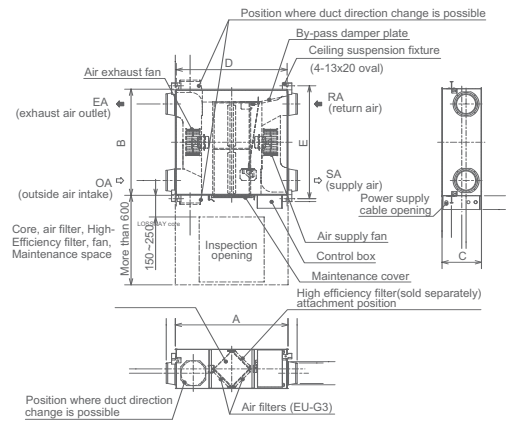
# LGH-15RX5-E to LGH-200RX5-E

## Lossnay Controller PZ-60DR-E

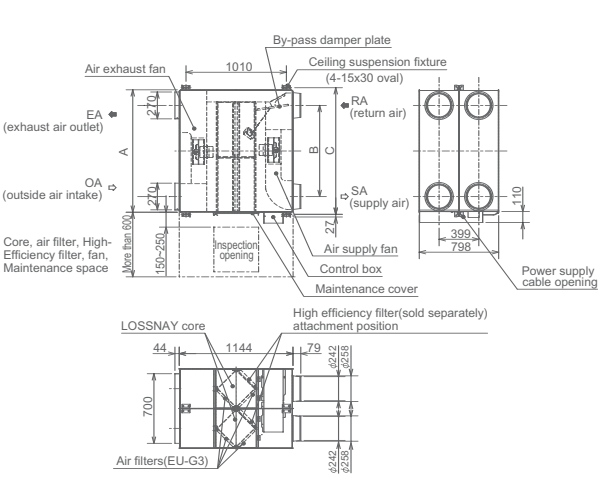


- Control up to 15 Lossnay units.
- New dot matrix display
- Weekly timer (ability to pre-set air volume requirements at different intervals)
- Night purge function
- Dimensions (WxDxH) mm: 130x19x120

### LGH-15-100RX5-E >



### LGH-150-200RX5-E >



**Notes:** Please use the Lossnay Technical Databook for specific, individual model schematics.

MODEL REFERENCE	DIMENSIONS			CEILING SUSPENSION FIXTURE PITCH		NOMINAL DIAMETER
	A	B	C	D	E	
LGH-15RX5-E	780	735	273	768	782	ø100
LGH-25RX5-E	780	735	273	768	782	ø150
LGH-35RX5-E	888	874	315	875	921	ø150
LGH-50RX5-E	888	1016	315	875	1063	ø200
LGH-65RX5-E	908	954	386	895	1001	ø200
LGH-80RX5-E	1144	1004	399	1010	1036	ø250
LGH-100RX5-E	1144	1231	399	1010	1263	ø250

MODEL REFERENCE	A	B	C
LGH-150RX5-E	1004	690	1045
LGH-200RX5-E	1231	917	1272