

R410A HVRF R2 Series Standard (22.4-56kW)

Simultaneous Heating and Cooling with Heat Recovery Outdoor Unit

Throughout the year, many buildings require cooling in some areas and heating in others - even in adjacent rooms. The outstanding City Multi R2 system meets these requirements by distributing surplus heat from cooling operations (and vice versa) to rooms where it is needed. This efficiency can result in energy savings up to 30% over conventional systems.

Key Features

- Highest specification, highest efficiency heat recovery system available
- Delivers the highest levels of comfort, both thermally and acoustically
- Flexible design, installation and maintenance



OUTDOOR UNITS		PURY-P200YNW-A	PURY-P250YNW-A	PURY-P300YNW-A	PURY-P300YNW-A X 2HBC	PURY-P350YNW-A	PURY-P350YNW-A X 2HBC	PURY-P400YNW-A	PURY-P450YNW-A	PURY-P500YNW-A
CAPACITY (kW)	Heating (nominal)	25.0	31.5	37.5	37.5	45.0	45.0	45.0	56.0	58.0
	Cooling (nominal)	22.4	28.0	33.5	33.5	40.0	40.0	45.0	50.0	56.0
	High Performance Heating (UK)	25.0	31.5	35.6	35.6	42.8	42.8	42.8	50.4	52.2
	COP Priority Heating (UK)	22.8	28.7	32.3	32.3	38.7	38.7	38.7	49.3	51.0
	Cooling (UK)	20.1	25.1	30.0	30.0	35.8	35.8	40.3	44.8	50.1
POWER INPUT (kW)	Heating (nominal)	7.08	10.06	12.71	11.94	15.51	14.35	13.39	17.39	17.53
	Cooling (nominal)	7.00	9.92	13.34	11.31	17.93	14.59	16.65	17.92	22.67
	High Performance Heating (UK)	8.92	12.68	16.90	15.88	20.63	19.09	17.81	19.82	19.98
	COP Priority Heating (UK)	7.08	10.06	12.33	11.58	15.04	13.92	12.99	16.00	16.13
	Cooling (UK)	4.06	5.75	8.54	7.24	11.48	9.34	10.66	11.11	14.06
COP / EER (nominal)		3.53 / 3.20	3.13 / 2.82	2.95 / 2.51	3.14 / 2.96	2.9 / 2.23	3.13 / 2.74	3.36 / 2.70	3.22 / 2.79	3.30 / 2.47
SCOP / SEER ¹		-	-	-	-	-	-	-	-	-
MAX No. OF CONNECTABLE INDOOR UNITS		20	25	30	30	35	35	40	45	50
MAX CONNECTABLE CAPACITY		50-150% OU Capacity	50-150% OU Capacity	50-150% OU Capacity	50-150% OU Capacity	50-150% OU Capacity	50-150% OU Capacity	50-150% OU Capacity	50-150% OU Capacity	50-150% OU Capacity
AIRFLOW (m ³ /min)		High	170	185	240	240	250	315	315	295
PIPE SIZE mm (in)	Gas	19.05 (3/4")	22.2 (7/8")	22.2 (7/8")	22.2 (7/8")	28.58 (1-1/8")	28.58 (1-1/8")	28.58 (1-1/8")	28.58 (1-1/8")	28.58 (1-1/8")
	Liquid	15.88 (5/8")	19.05 (3/4")	19.05 (3/4")	19.05 (3/4")	19.05 (3/4")	19.05 (3/4")	22.2 (7/8")	22.2 (7/8")	22.2 (7/8")
SOUND PRESSURE LEVEL (dBA)		59.0	61.0	67.0	67.0	64.0	64.0	69.0	70	64.5
SOUND POWER LEVEL (dBA)		78.0	80.0	86.5	86.5	83.0	83.0	88.0	89	84
WEIGHT (kg)		229	229	231	231	273	273	273	293	337
DIMENSIONS (mm)	Width	920	920	920	920	1240	1240	1240	1240	1750
	Depth	740	740	740	740	740	740	740	740	740
	(1798mm without legs) Height	1858	1858	1858	1858	1858	1858	1858	1858	1858
ELECTRICAL SUPPLY ¹		380-415v, 50Hz	380-415v, 50Hz	380-415v, 50Hz	380-415v, 50Hz	380-415v, 50Hz	380-415v, 50Hz	380-415v, 50Hz	380-415v, 50Hz	380-415v, 50Hz
PHASE ¹		Three	Three	Three	Three	Three	Three	Three	Three	Three
STARTING CURRENT (A) ¹		8	8	8	8	8	8	8	8	8
NOMINAL SYSTEM RUNNING CURRENT (A) ¹ Heating/Cooling [MAX]		10.9 / 10.8 [16.1]	15.5 / 15.3 [17.8]	19.6 / 20.6 [22.7]	18.4 / 17.4 [22.7]	23.9 / 27.7 [27.6]	22.1 / 22.5 [27.6]	20.6 / 25.7 [35.1]	26.8 / 27.7 [37.1]	27.0 / 35 [43.2]
GUARANTEED OPERATING RANGE (°C) Heating / Cooling		-20~-15.5 / -5~-52	-20~-15.5 / -5~-52	-20~-15.5 / -5~-52	-20~-15.5 / -5~-52	-20~-15.5 / -5~-52	-20~-15.5 / -5~-52	-20~-15.5 / -5~-52	-20~-15.5 / -5~-52	-20~-15.5 / -5~-52
FUSE RATING (MCB sizes BS EN 60947-2) - (A) ¹		1 x 20	1 x 20	1 x 25	1 x 25	1 x 32	1 x 32	1 x 40	1 x 40	1 x 50
MAINS CABLE No. Cores ¹		4 + earth	4 + earth	4 + earth	4 + earth	4 + earth	4 + earth	4 + earth	4 + earth	4 + earth
CHARGE REFRIGERANT (kg) / CO ₂ EQUIVALENT (t) R410A (GWP 2088)		5.2 / 10.9	5.2 / 10.9	5.2 / 10.9	5.2 / 10.9	8 / 16.7	8 / 16.7	8 / 16.7	10.8 / 22.5	10.8 / 22.6
MAX ADDITIONAL REFRIGERANT (kg) / CO ₂ EQUIVALENT (t) R410A (GWP 2088)		31.8 / 66.4	37.8 / 78.9	37.8 / 78.9	37.8 / 78.9	41.3 / 86.2	41.3 / 86.2	47.3 / 98.8	44.5 / 92.9	45.2 / 94.4

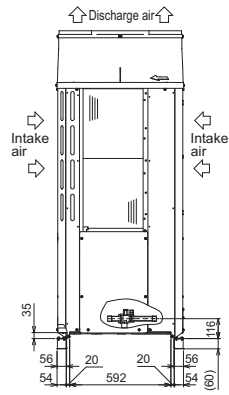
Notes: ¹SEER/SCOP available separately in the 'City Multi VRF Seasonal Efficiency' document. Based on Ecodesign Lot 21/6 to EN14825 standard.

¹A separate power supply is required for each module. Where more than one figure is quoted there are multiple modules.

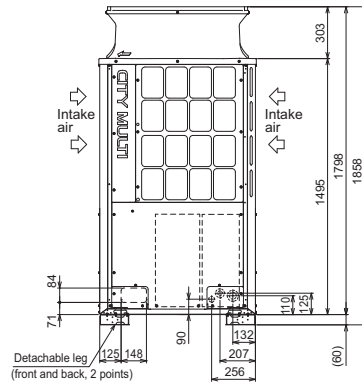
Product Dimensions

PURY-P200/250/300YNW-A

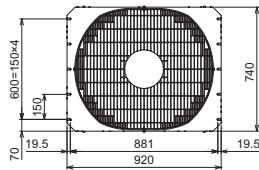
Side View



Front View



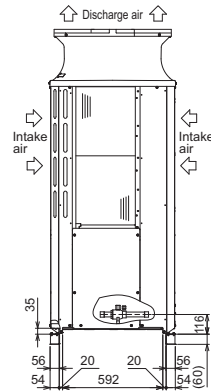
Upper View



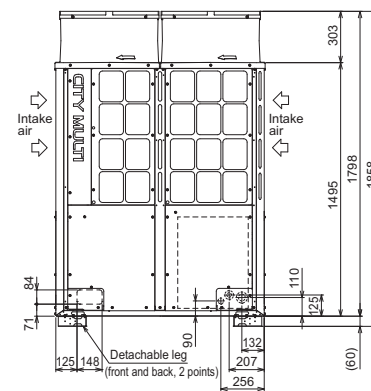
Product Dimensions

PURY-P350/400/450YNW-A

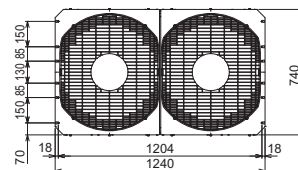
Side View



Front View



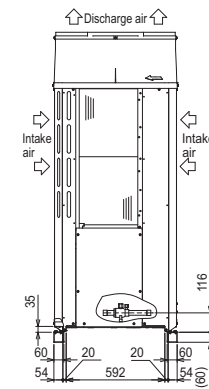
Upper View



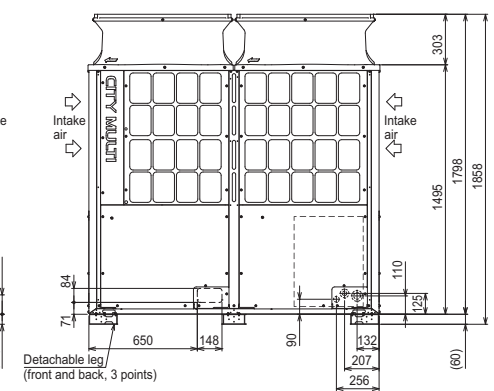
Product Dimensions

PURY-P500YNW-A

Side View



Front View



Upper View

