

R32 HVRF R2 Series High Efficiency (22.4-56kW)

Simultaneous Heating and
Cooling with Heat Recovery
Outdoor Unit



Throughout the year, many buildings require cooling in some areas and heating in others - even in adjacent rooms. The outstanding City Multi R2 system meets these requirements by distributing surplus heat from cooling operations (and vice versa) to rooms where it is needed. This efficiency can result in energy savings up to 30% over conventional systems.

Key Features

- Highest specification, highest efficiency heat recovery system available
- Delivers the highest levels of comfort, both thermally and acoustically
- Flexible design, installation and maintenance



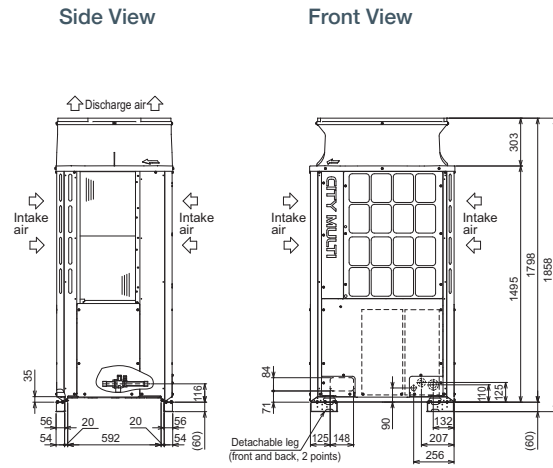
| OUTDOOR UNITS | | COMING AUTUMN 2018 | | | | COMING SPRING 2019 | | | | |
|---|-------------------------------|---------------------|---------------------|---------------------|------------------------|---------------------|------------------------|---------------------|---------------------|---------------------|
| | | PURY-EM200YNW-A | PURY-EM250YNW-A | PURY-EM300YNW-A | PURY-EM300YNW-A X 2HBC | PURY-EM350YNW-A | PURY-EM350YNW-A X 2HBC | PURY-EM400YNW-A | PURY-EM450YNW-A | PURY-EM500YNW-A |
| CAPACITY (kW) | Heating (nominal) | 25.0 | 31.5 | 37.5 | 37.5 | 45.0 | 45.0 | 50.0 | 56.0 | 58.0 |
| | Cooling (nominal) | 22.4 | 28.0 | 33.5 | 33.5 | 40.0 | 40.0 | 45.0 | 50.0 | 56.0 |
| | High Performance Heating (UK) | 25.0 | 31.5 | 35.6 | 35.6 | 42.8 | 42.8 | 47.5 | 50.4 | 52.2 |
| | COP Priority Heating (UK) | 22.8 | 28.7 | 32.3 | 32.3 | 38.7 | 38.7 | 43.0 | 49.3 | 51.0 |
| | Cooling (UK) | 20.1 | 25.1 | 30.0 | 30.0 | 35.8 | 35.8 | 40.3 | 44.8 | 50.1 |
| POWER INPUT (kW) | Heating (nominal) | - | - | - | - | - | - | - | - | - |
| | Cooling (nominal) | - | - | - | - | - | - | - | - | - |
| | High Performance Heating (UK) | - | - | - | - | - | - | - | - | - |
| | COP Priority Heating (UK) | - | - | - | - | - | - | - | - | - |
| | Cooling (UK) | - | - | - | - | - | - | - | - | - |
| COP / EER (nominal) | | - | - | - | - | - | - | - | - | - |
| SCOP / SEER* | | - | - | - | - | - | - | - | - | - |
| MAX No. OF CONNECTABLE INDOOR UNITS | | 20 | 25 | 30 | 30 | 35 | 35 | 40 | 45 | 50 |
| MAX CONNECTABLE CAPACITY | | 50-150% OU Capacity | 50-150% OU Capacity | 50-150% OU Capacity | 50-150% OU Capacity | 50-150% OU Capacity | 50-150% OU Capacity | 50-150% OU Capacity | 50-150% OU Capacity | 50-150% OU Capacity |
| AIRFLOW (m³/min) | | High | 170 | 185 | 240 | 240 | 250 | 250 | 315 | 315 |
| PIPE SIZE mm (in) | Gas | 19.05 (3/4") | 19.05 (3/4") | 19.05 (3/4") | 19.05 (3/4") | 28.58 (1-1/8") | 28.58 (1-1/8") | 28.58 (1-1/8") | 28.58 (1-1/8") | 28.58 (1-1/8") |
| | Liquid | 15.88 (5/8") | 15.88 (5/8") | 15.88 (5/8") | 15.88 (5/8") | 19.05 (3/4") | 19.05 (3/4") | 22.2 (7/8") | 22.2 (7/8") | 22.2 (7/8") |
| SOUND PRESSURE LEVEL (dBA) | | 59.0 | 61.0 | 67.0 | 67.0 | 64.0 | 64.0 | 69.0 | 70.0 | 64.5 |
| SOUND POWER LEVEL (dBA) | | 78.0 | 80.0 | 86.5 | 86.5 | 83.0 | 83.0 | 88.0 | 89.0 | 84.0 |
| WEIGHT (kg) | | 234 | 234 | 236 | 236 | 279 | 279 | 282 | 306 | 345 |
| DIMENSIONS (mm) | Width | 920 | 920 | 920 | 920 | 1240 | 1240 | 1240 | 1240 | 1750 |
| | Depth | 740 | 740 | 740 | 740 | 740 | 740 | 740 | 740 | 740 |
| | (1798mm without legs) Height | 1858 | 1858 | 1858 | 1858 | 1858 | 1858 | 1858 | 1858 | 1858 |
| ELECTRICAL SUPPLY*1 | | 380-415v, 50Hz | 380-415v, 50Hz | 380-415v, 50Hz | 380-415v, 50Hz | 380-415v, 50Hz | 380-415v, 50Hz | 380-415v, 50Hz | 380-415v, 50Hz | 380-415v, 50Hz |
| PHASE*1 | | Three | Three | Three | Three | Three | Three | Three | Three | Three |
| STARTING CURRENT (A)*1 | | 8 | 8 | 8 | 8 | 8 | 8 | 8 | 8 | 8 |
| NOMINAL SYSTEM RUNNING CURRENT (A)*1 Heating/Cooling [MAX] | | - | - | - | - | - | - | - | - | - |
| GUARANTEED OPERATING RANGE (°C) Heating / Cooling | | -20~-15.5 / -5~-52 | -20~-15.5 / -5~-52 | -20~-15.5 / -5~-52 | -20~-15.5 / -5~-52 | -20~-15.5 / -5~-52 | -20~-15.5 / -5~-52 | -20~-15.5 / -5~-52 | -20~-15.5 / -5~-52 | -20~-15.5 / -5~-52 |
| FUSE RATING (MCB sizes BS EN 60947-2) - (A)*1 | | 1 x 20 | 1 x 20 | 1 x 25 | 1 x 25 | 1 x 25 | 1 x 25 | 1 x 32 | 1 x 40 | 1 x 50 |
| MAINS CABLE No. Cores*1 | | 4 + earth | 4 + earth | 4 + earth | 4 + earth | 4 + earth | 4 + earth | 4 + earth | 4 + earth | 4 + earth |
| CHARGE REFRIGERANT (kg) / CO ₂ EQUIVALENT (t) R32 (GWP 675) | | - | - | - | - | - | - | - | - | - |
| MAX ADDITIONAL REFRIGERANT (kg) / CO ₂ EQUIVALENT (t) R32 (GWP 675) | | - | - | - | - | - | - | - | - | - |

Notes: *SEER/SCOP available separately in the 'City Multi VRF Seasonal Efficiency' document. Based on Ecodesign Lot 21/6 to EN14825 standard.

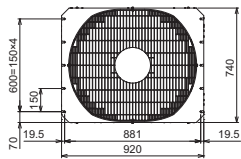
*1 A separate power supply is required for each module. Where more than one figure is quoted there are multiple modules. Specification subject to change.

Product Dimensions

PURY-EM200/250/300YNW-A

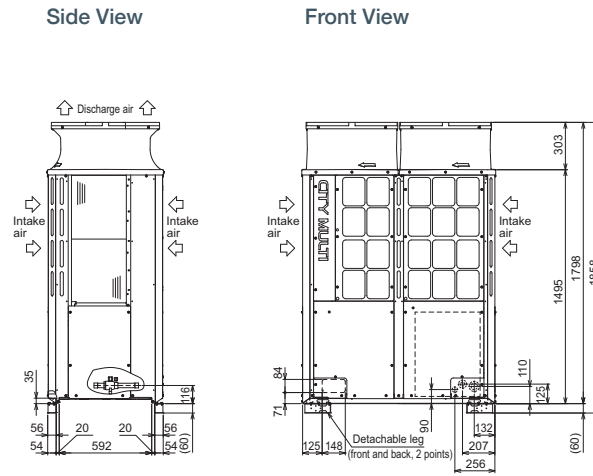


Upper View

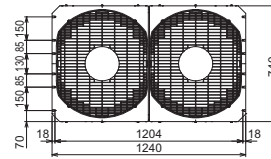


Product Dimensions

PURY-EM350/400/450YNW-A

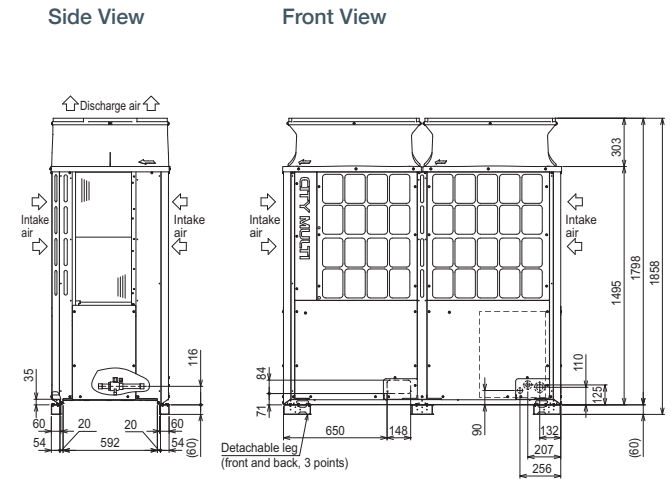


Upper View



Product Dimensions

PURY-EM500YNW-A



Upper View

