

600x600 4-Way Blow Ceiling Cassette Indoor Unit (HVRF)

PLFY-WP-VFM-E

The PLFY cassette unit provides the smart solution to comfortable and efficient air conditioning. It combines a stylish square design slimline grille with the latest energy-saving technologies and is designed to fit snugly to ceilings making it ideal in both offices and retail.

Key Features

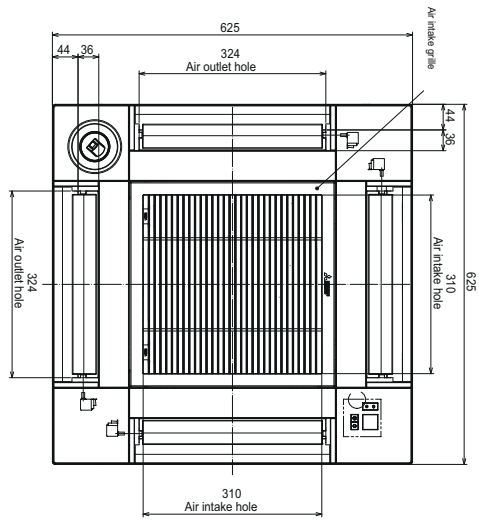
- New design - fits into narrow ceiling spaces with height of only 245mm
- Low noise levels - reduced noise value with 3D turbo fan
- Horizontal airflow - eliminating uncomfortable drafts and improved airflow control
- Easy installation - temporary hanging hook on grille and no screw removal for corner panel / control box
- 3D i-see Sensor Grille - optional 360° human body temperature, room occupancy and position sensor grille
- R32 / R410A compatible



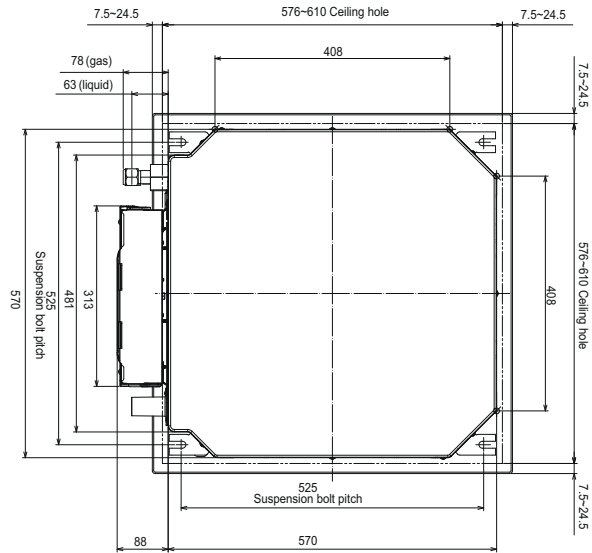
INDOOR UNITS		PLFY-WP15VFM-E	PLFY-WP20VFM-E	PLFY-WP25VFM-E	PLFY-WP32VFM-E
CAPACITY (kW)	Heating (nominal)	1.9	2.5	3.2	4.0
	Cooling (nominal)	1.7	2.2	2.8	3.6
	UK Heating	1.9	2.5	3.2	4.0
	UK Total Cooling - Hi (Sensible)	1.50 (-)	2.00 (-)	2.50 (-)	3.20 (-)
	UK Total Cooling - Mi1	1.44	1.92	2.38	2.92
POWER INPUT (kW)	UK Total Cooling - Lo	1.36	1.89	2.26	2.52
	Heating (nominal)	0.02	0.02	0.02	0.04
AIRFLOW (l/s)	Cooling (nominal)	0.02	0.02	0.03	0.04
	Lo-Mi-Hi	100-115-135	110-115-135	110-125-150	110-150-200
SOUND PRESSURE LEVEL (dBA)	Lo-Mi-Hi	25-26-29	27-29-31	27-30-34	27-33-41
	(Grille)	14 (3)	14 (3)	14 (3)	15 (3)
DIMENSIONS (mm)	WEIGHT (kg)	14 (3)	14 (3)	14 (3)	15 (3)
	Width (Grille)	570 (625)	570 (625)	570 (625)	570 (625)
	Depth (Grille)	570 (625)	570 (625)	570 (625)	570 (625)
ELECTRICAL SUPPLY	Height (Grille)	245 (10)	245 (10)	245 (10)	245 (10)
	PHASE	220-240v, 50Hz	220-240v, 50Hz	220-240v, 50Hz	220-240v, 50Hz
RUNNING CURRENT (A)	Single	0.14 / 0.19	0.17 / 0.22	0.19 / 0.24	0.33 / 0.38
	Heating / Cooling	0.14 / 0.19	0.17 / 0.22	0.19 / 0.24	0.33 / 0.38
FUSE RATING (BS88) - HRC (A)		6	6	6	6
MAINS CABLE No. Cores		3	3	3	3
GRILLE MODEL REFERENCE		SLP-2FA	SLP-2FA	SLP-2FA	SLP-2FA

Note: HVRF indoor units can only be configured with the CMB-WP/CMB-WM HBC (HVRF) and PURY-(EP) YNW-A, PURY-(E)M YNW-A or PORY-P YLM-A outdoor units.

Upper View



Lower View



Side View

