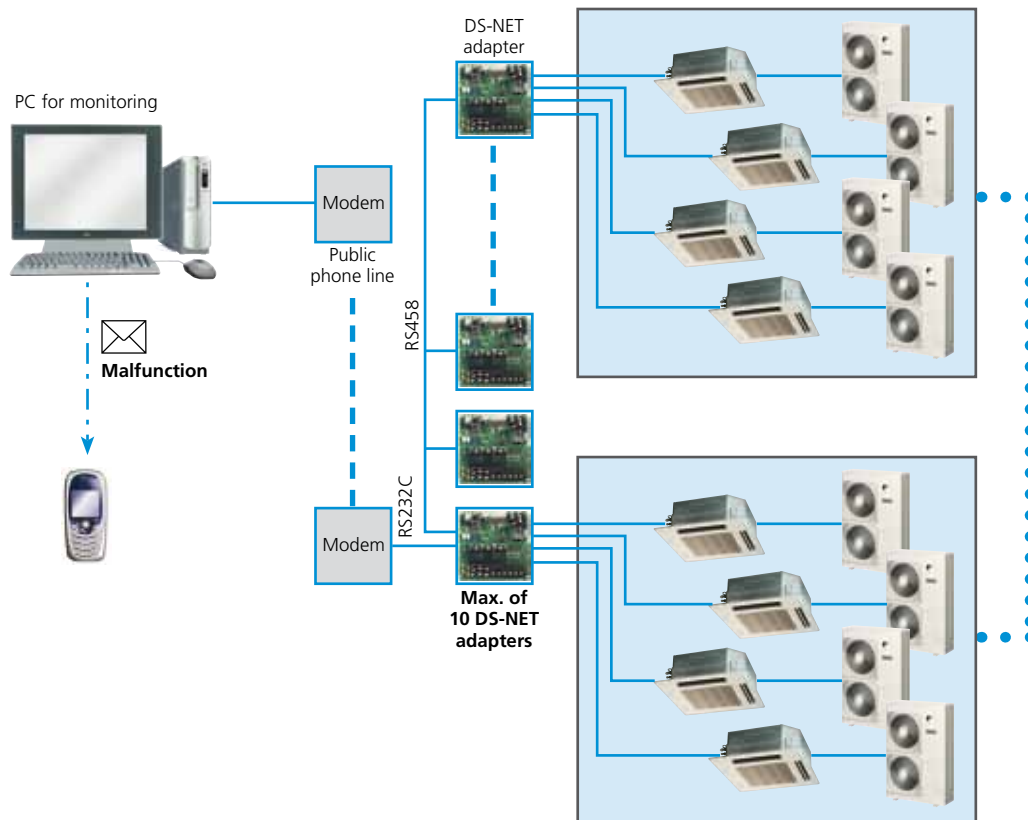


NETWORK SOLUTIONS



The ideal solution for control and management up to 2,000 Sky Air and/or VRV® indoor units



Application area

- A small commercial area of less than 40 indoor units.
- Critical applications for centralized monitoring.

System layout

- Allows monitoring and control of up to 50 stores or sites and 2,000 indoor units with just one modem and phone line.
- Automates daily air conditioning operation in order to free users from the hassle of air conditioning operation/management.
- The daily schedule setting allows automatic operation afterward.
- Automates alarm (report messages) for any malfunctions / errors. Immediate report of any indoor unit breakdown to the servicing company.
- Automatic report of breakdown/ malfunction information.
- Minimizes the inconvenience of not having air conditioning via rapid messages

Functions

- Schedule setup (Daily schedule)
 - Start/Stop
- Air conditioning malfunction report
 - Send message to monitoring system
- Manual operation
 - Start/Stop, Set temperature, Operation mode, Fan speed
- Status monitoring (Start/Stop, Set temperature, Operation mode, Room temperature, Operation time, Error code)